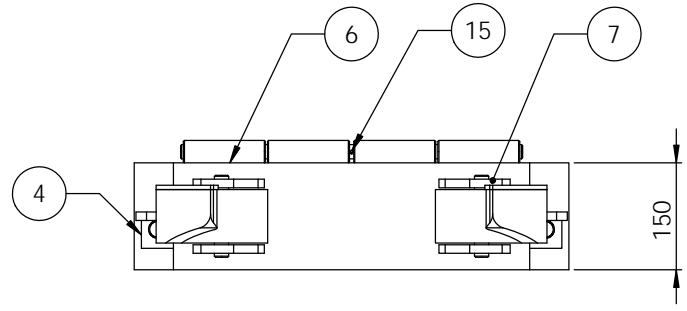
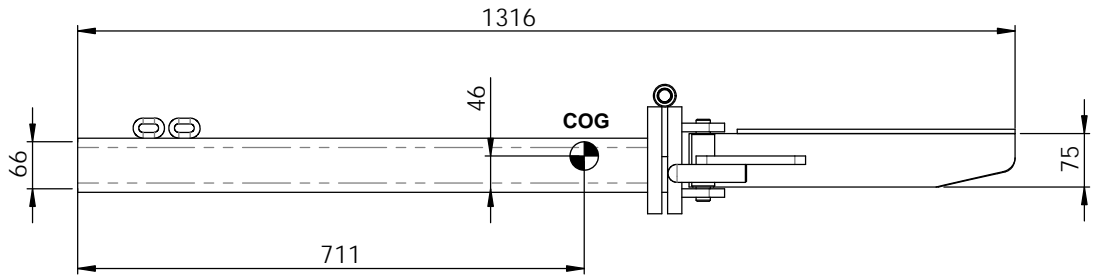
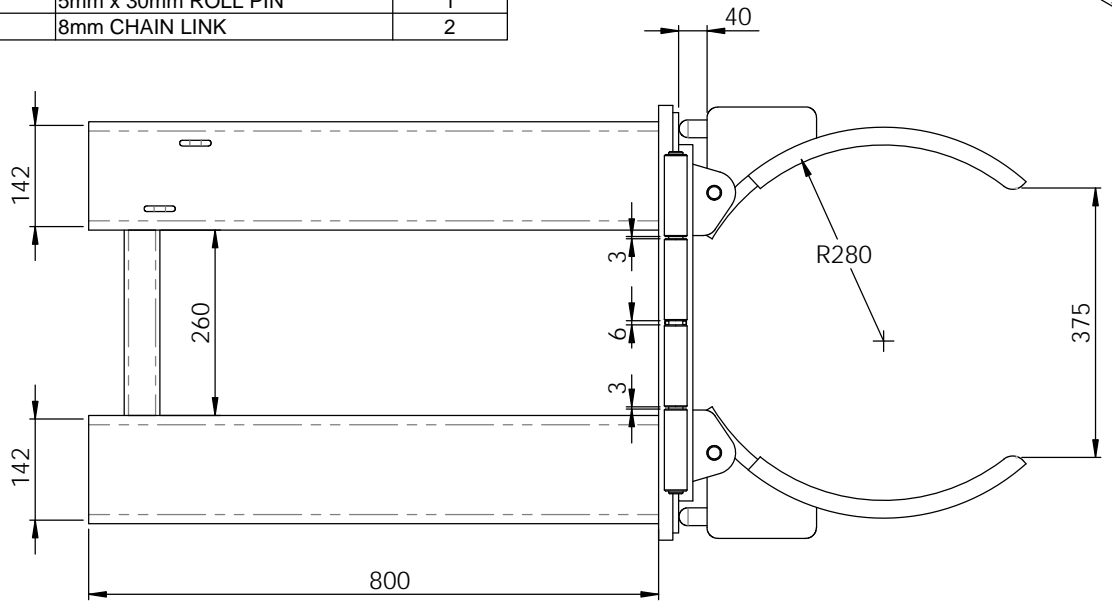
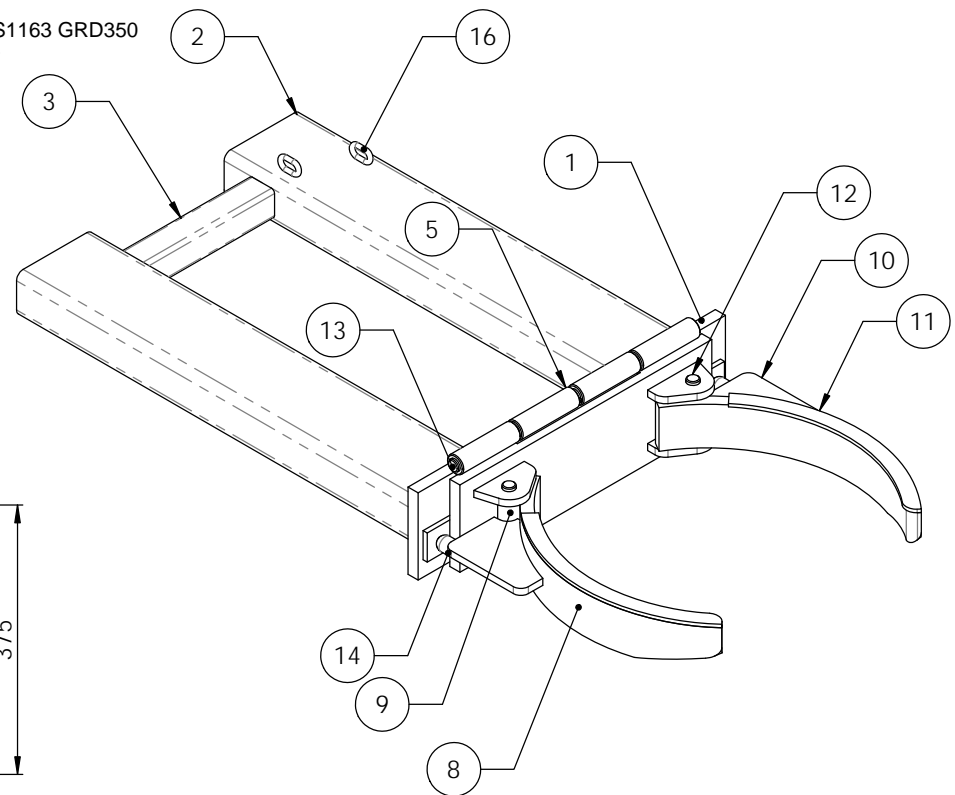


ITEM NO.	PART NUMBER	QTY.
1	REAR PLATE	1
2	TINE POCKETS	2
3	REAR SPACER	1
4	STOP PLATE	2
5	HINGE BODY	4
6	FRONT PLATE	1
7	CLAW HINGE BRACKET	4
8	CLAW	1
9	CLAW HINGE BODY	1
10	GUSSET	1
11	PINCH BLADE	1
12	CLAW HINGE PIN	2
13	HINGE PIN	1
14	CLAW STOP PIN	2
15	5mm x 30mm ROLL PIN	1
16	8mm CHAIN LINK	2

NOTE:  
 1. ALL WELDING TO COMPLY WITH AS1554.1 CAT SP  
 2. ALL WELDS 5mm FILLET WELDS  
 3. ALL HOLLOW SECTION TO COMPLY WITH AS1163 GRD350  
 4. ALL STEEL PLATE TO COMPLY WITH AS3678  
 5. TARE WEIGHT 75KG  
 6. FINISH POWDER COAT GOLDEN YELLOW



**D.O.T.**  
ENGINEERING

1 / 57 PARAMOUNT DRV  
WANGARA. 6065  
WESTERN AUSTRALIA.

TEL: (08) 9302 4166  
FAX: (08) 9302 4099

THIS DRAWING AND THE INFORMATION ON IT  
REMAINS THE PROPERTY OF DOT ENGINEERING  
WRITTEN PERMISSION MUST BE OBTAINED FROM  
DOT ENGINEERING TO COPY OR REPRODUCE  
THE WHOLE OR PART OF THIS DRAWING.

DRAWN	RM	TITLE 200 LITRE DRUM LIFTING TONG FOR FORKLIFT		
CHECKED		SIZE 700KG WLL	SCALE 1:7.5	DATE 01-May-11
APPROVED		PROJECT FORKLIFT ATTACH.	DWG 10054 - 1	REV 1