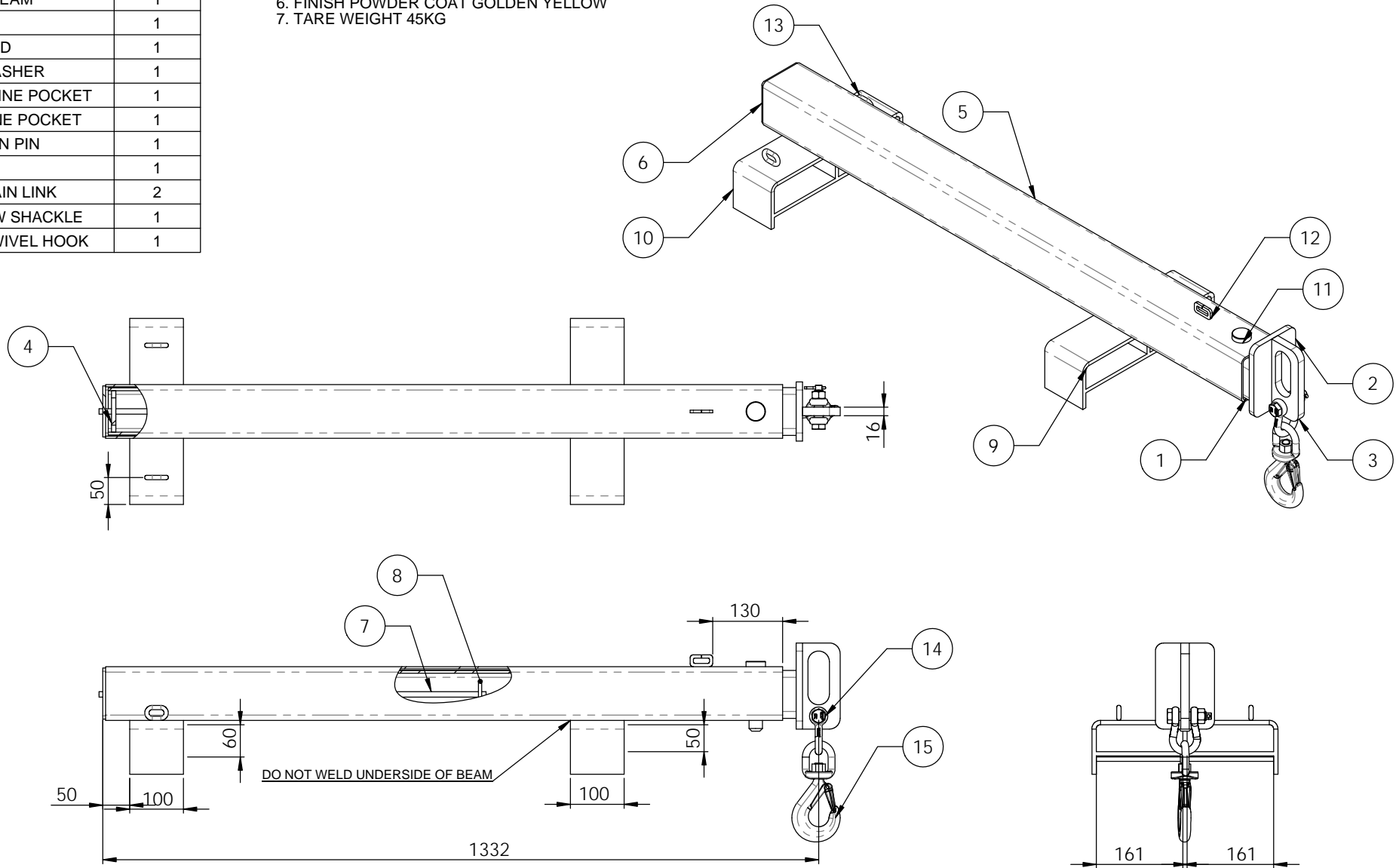


ITEM NO.	PART NUMBER	QTY.
1	10059-INNER BEAM	1
2	10059-LUG BASE PLATE	1
3	HOOK PLATE	1
4	10059-JIB END PLATE	1
5	10059-OUTER BEAM	1
6	10059-END CAP	1
7	10059-STOP ROD	1
8	10059-STOP WASHER	1
9	10059-FRONT TINE POCKET	1
10	10059-REAR TINE POCKET	1
11	10059-LOCATION PIN	1
12	SPLIT LINK	1
13	10059-8mm CHAIN LINK	2
14	2T SAFETY BOW SHACKLE	1
15	2.5T PEWAG SWIVEL HOOK	1

NOTE:

1. ALL WELDING TO COMPLY WITH AS1554.1 CAT SP
2. ALL WELDS 6mm C.F.W.
3. ALL STEEL PLATE TO COMPLY WITH AS3678
4. ALL STEEL HOLLOW SECTIONS TO COMPLY WITH AS1163 GRD350
5. COMPLIES WITH AS2359.1 WHERE PRACTICAL
6. FINISH POWDER COAT GOLDEN YELLOW
7. TARE WEIGHT 45KG

POSITION	EXTENSION	WLL
1.	1332mm	2000KG
2.	1557mm	1650KG
3.	1782mm	1300KG
4.	2007mm	950KG



D.O.T.
ENGINEERING

1 / 57 PARAMOUNT DRV
WANGARA. 6065
WESTERN AUSTRALIA.

TEL: (08) 9302 4166

FAX: (08) 9302 4099

THIS DRAWING AND THE INFORMATION ON IT
REMAINS THE PROPERTY OF DOT ENGINEERING
WRITTEN PERMISSION MUST BE OBTAINED FROM
DOT ENGINEERING TO COPY OR REPRODUCE
THE WHOLE OR PART OF THIS DRAWING.

DRAWN	RM	TITLE	FORKLIFT JIB ASSEMBLY		
CHECKED		SIZE	2T WLL	SCALE	1:7.5
APPROVED		PROJECT	FORKLIFT ATTACH.	DWG	10059 - 1
				DATE	19-Mar-11
				REV	1