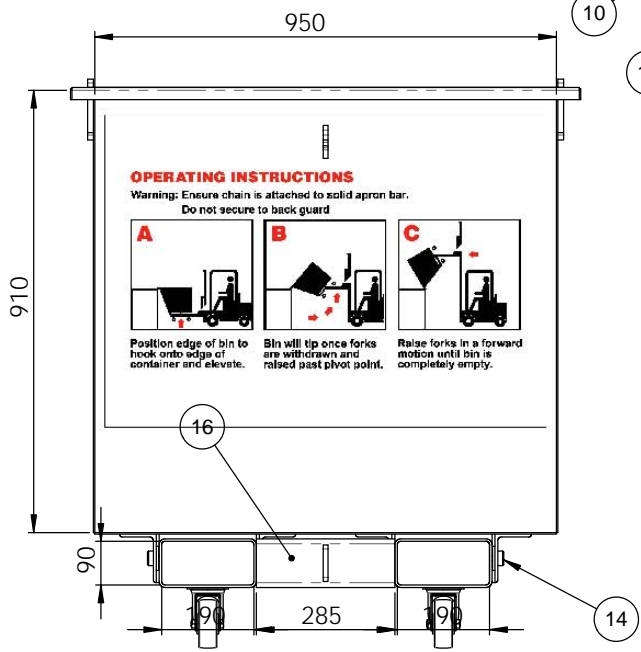
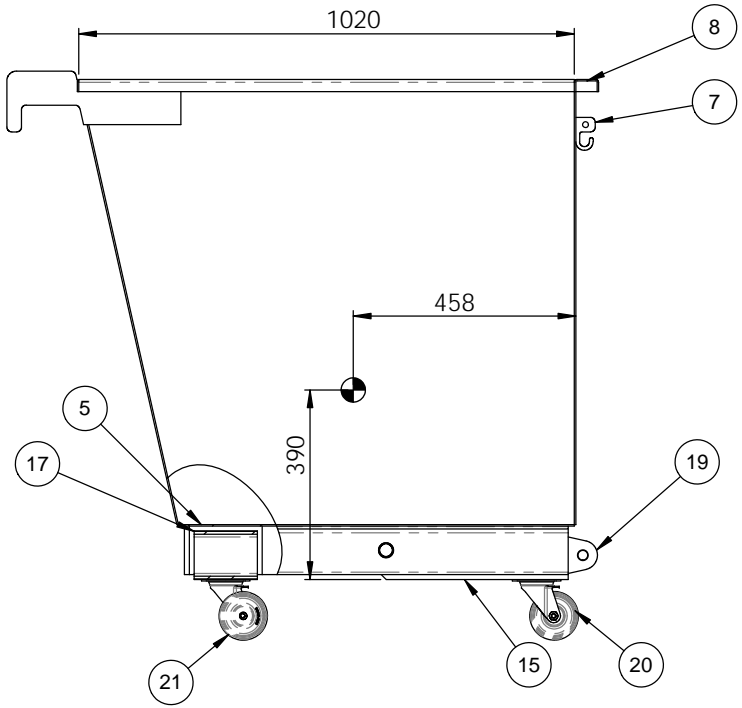
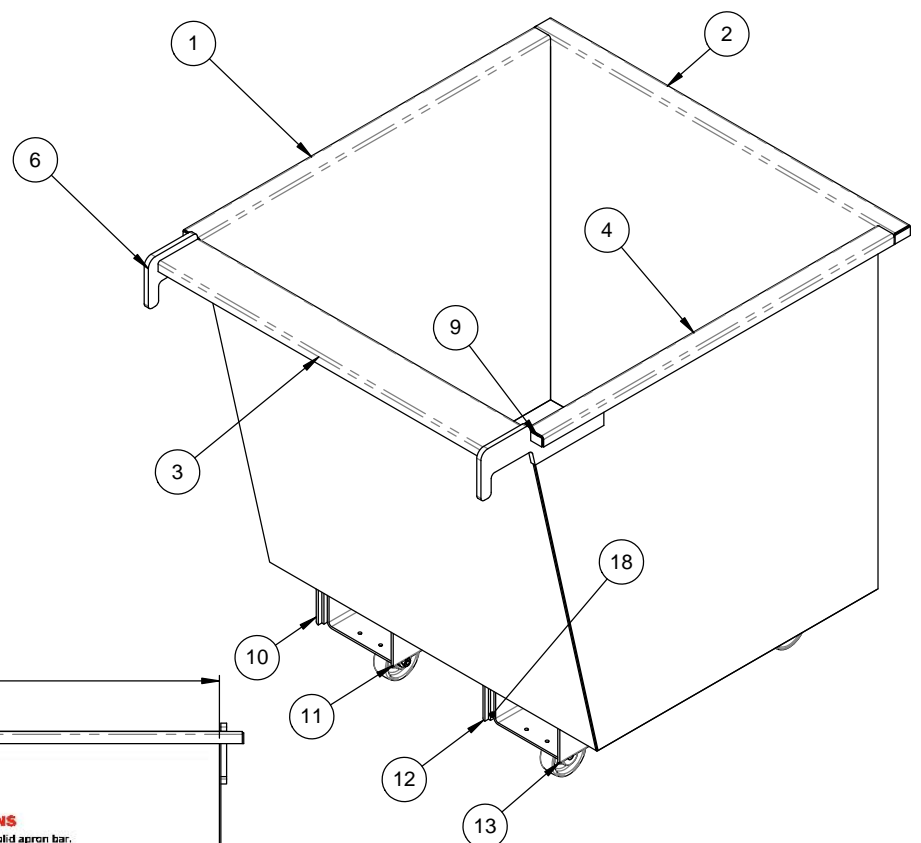


ITEM NO.	PART NUMBER	QTY.
1	10068-SIDE PANEL	1
2	10068-BACK PANEL	1
3	10068-FRONT PANEL	1
4	SIDE PANEL OPPOSITE	1
5	10068-BASE PLATE	1
6	10068-FRONT HOOKS	2
7	10068-CHAIN HOOK	1
8	10068-INFILL REAR	2
9	10068-INFILL FRONT	2
10	10068-OUTSIDE ANGLE	1
11	10068-INSIDE ANGLE	1
12	INSIDE ANGLE OPPOSITE	1
13	OUTSIDE ANGLE OPPOSITE	1
14	10068-PIVOT PIN	4
15	10068-REAR RHS	2
16	10068-RHS SPACER	1
17	10068-FRONT RHS	2
18	10068-FLAT BAR SPACER	4
19	10068-LUG	1
20	SWIVEL CASTOR FALLSHAW JUR100/JZP	2
21	FIXED CASTOR FALLSHAW JUR100/JZF	2



OPERATING INSTRUCTIONS
 Warning: Ensure chain is attached to solid apron bar.
 Do not secure to back guard

A

Position edge of bin to hook onto edge of container and elevate.

B

Bin will tip once forks are withdrawn and raised past pivot point.

C

Raise forks in a forward motion until bin is completely empty.

NOTE:
 1. TARE WEIGHT 170 KG
 2. VOLUME 0.8 CUBIC METRE

**D.O.T.
ENGINEERING**

1 / 57 PARAMOUNT DRV
WANGARA. 6065
WESTERN AUSTRALIA.

TEL: (08) 9302 4166
FAX: (08) 9302 4099

THIS DRAWING AND THE INFORMATION ON IT REMAINS THE PROPERTY OF DOT ENGINEERING WRITTEN PERMISSION MUST BE OBTAINED FROM DOT ENGINEERING TO COPY OR REPRODUCE THE WHOLE OR PART OF THIS DRAWING.

DRAWN	RM	TITLE	FORKLIFT TIPPER BIN		
CHECKED		SIZE	1T	SCALE	1:11
APPROVED		PROJECT	FORKLIFT ATTACH.	DWG	10068 - 1
				DATE	19-Mar-11
				REV	1