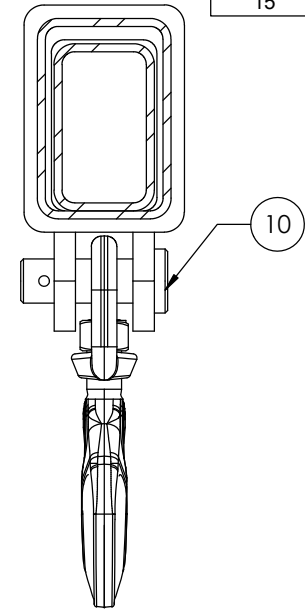
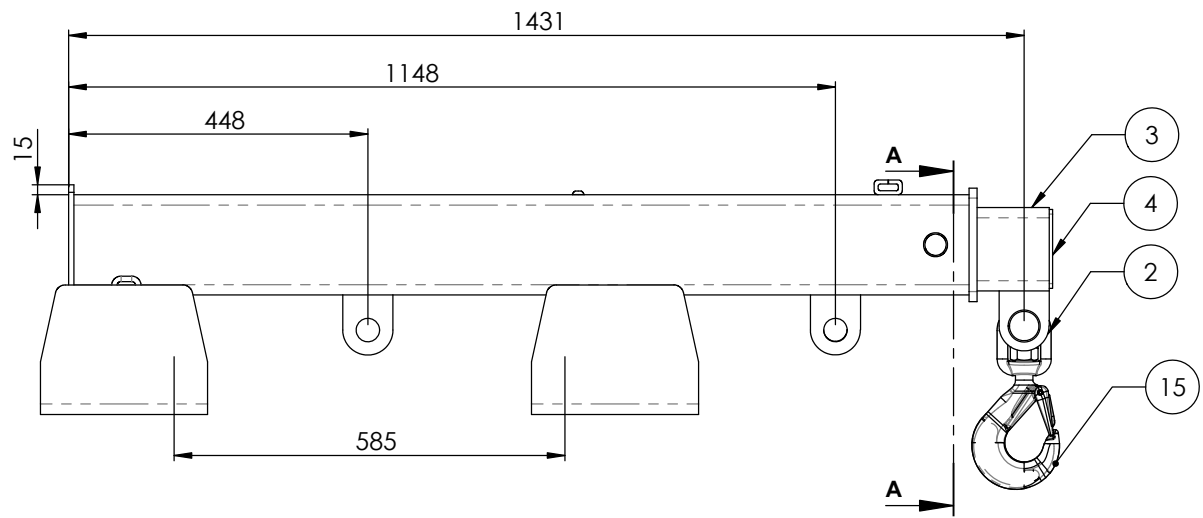
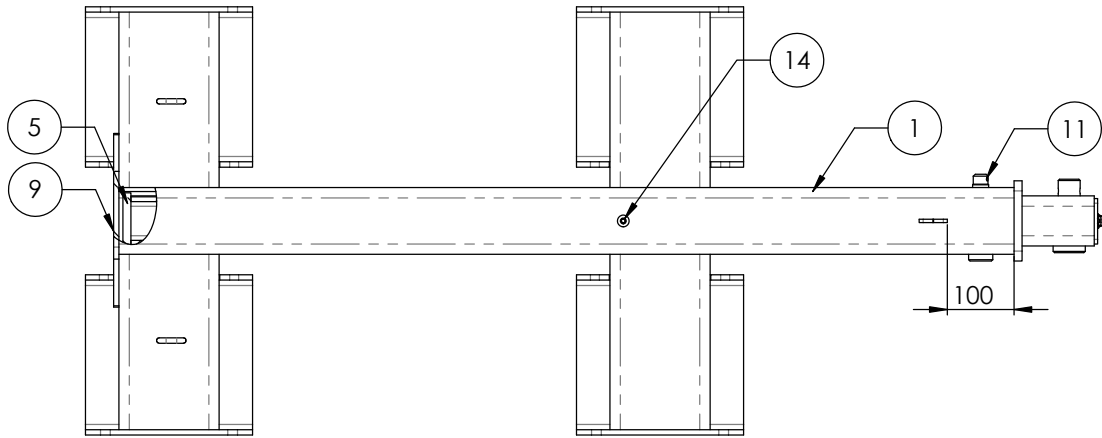


| POSITION | EXTENSION | WLL |
|----------|-----------|--------|
| 1. | 448mm | 4500KG |
| 2. | 1148mm | 4500KG |
| 3. | 1431mm | 3000KG |
| 4. | 1796mm | 1250KG |
| 5. | 2161mm | 700KG |

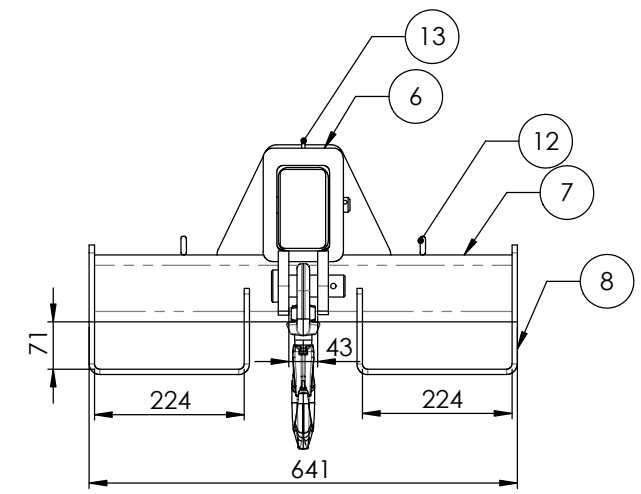
NOTE:

1. ALL WELDING TO COMPLY WITH AS1554.1 CAT SP
2. ALL WELDS 6mm C.F.W.
3. ALL STEEL PLATE TO COMPLY WITH AS3678
4. ALL STEEL HOLLOW SECTIONS TO COMPLY WITH AS1163 GRD350
5. COMPLIES WITH AS2359.1 WHERE PRACTICAL
6. FINISH POWDER COAT GOLDEN YELLOW
7. TARE WEIGHT 120KG

| ITEM NO. | PART NUMBER | QTY. |
|----------|------------------------------------|------|
| 1 | 10164-OUTER BEAM | 1 |
| 2 | 10164-LUG | 6 |
| 3 | 10164-INNER BEAM | 1 |
| 4 | 10164-END CAP 125 x 75 RHS | 1 |
| 5 | 10164-INNER GUIDE PLATE | 1 |
| 6 | 10164-GUIDE PLATE | 1 |
| 7 | 10164-HORIZONTAL SUPPORT | 2 |
| 8 | 10164-TINE POCKET | 4 |
| 9 | 10164-REAR PLATE | 1 |
| 10 | 10164-HOOK PIN | 1 |
| 11 | 10164-LOCATION PIN | 1 |
| 12 | 10164-8mm CHAIN LINK | 2 |
| 13 | SPLIT LINK | 1 |
| 14 | B18.3.4M - 10 x 1.5 x 16 SBHCS --N | 1 |
| 15 | 6T SWIVEL HOOK | 1 |



**SECTION A-A
SCALE 1 : 4**



**D.O.T.
ENGINEERING**

1 / 57 PARAMOUNT DRV
WANGARA. 6065
WESTERN AUSTRALIA.

TEL: (08) 9302 4166
FAX: (08) 9302 4099

THIS DRAWING AND THE INFORMATION ON IT
REMAINS THE PROPERTY OF DOT ENGINEERING
WRITTEN PERMISSION MUST BE OBTAINED FROM
DOT ENGINEERING TO COPY OR REPRODUCE
THE WHOLE OR PART OF THIS DRAWING.

| | | | | |
|----------|----|-----------------------------|---------------|----------------|
| DRAWN | RM | TITLE FORKLIFT JIB ASSEMBLY | | |
| CHECKED | | SIZE 4.5T WLL | SCALE 1:8 | DATE 20-Mar-11 |
| APPROVED | | PROJECT FORKLIFT ATTACH. | DWG 10164 - 1 | REV 1 |