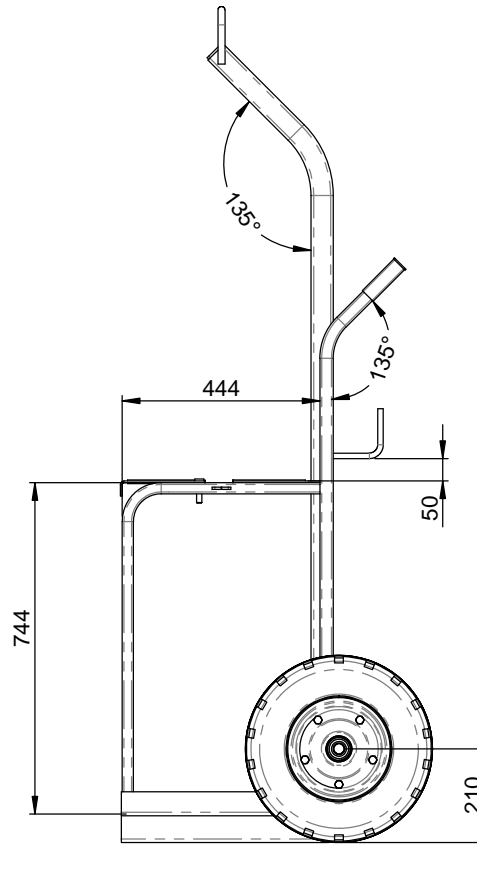
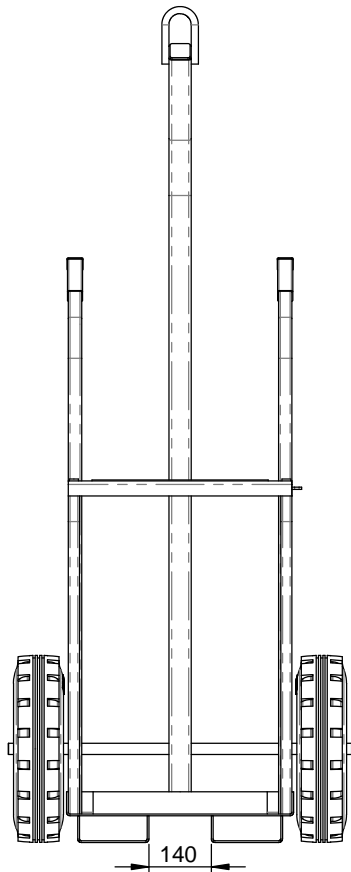
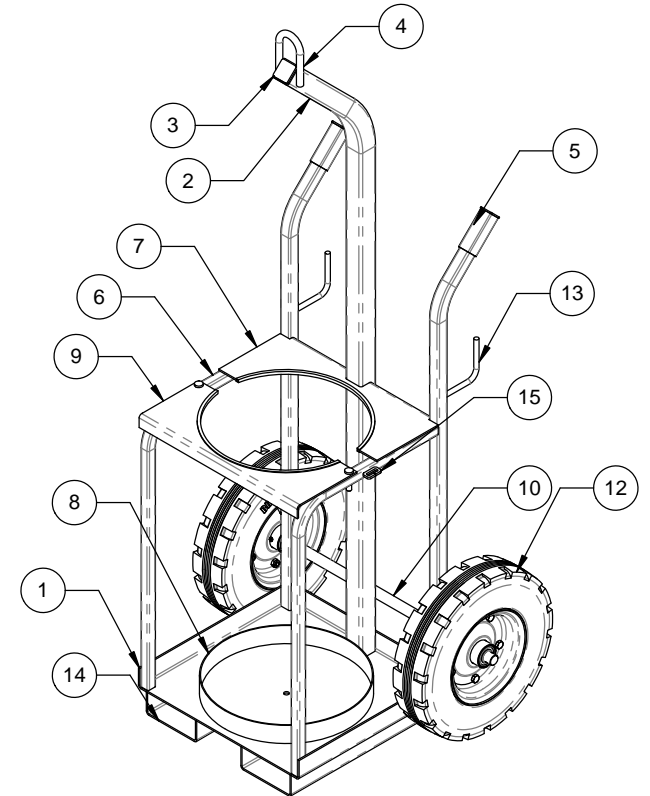


NOTE:

1. ALL WELDING TO COMPLY WITH AS1554.1 CAT SP
2. ALL WELDS 5mm FILLET WELDS
3. ALL HOLLOW SECTION TO COMPLY WITH AS1163 GRD350
4. ALL STEEL PLATE TO COMPLY WITH AS3678
5. TARE WEIGHT 64KG
6. FINISH POWDER COAT GOLDEN YELLOW
7. PROOF LOAD AND MARKINGS TO COMPLY WITH AS4991



ITEM NO.	PART NUMBER	QTY.
1	10171-BASE	1
2	10171-CENTRE LIFTING BAR	1
3	10171-END CAP	1
4	10171-LIFTING LUG	1
5	10171-HANDLE	2
6	10171-SIDE FRAMES	2
7	10171-RETAINING PLATE REAR	1
8	10171-PROPANE RING	1
9	10171-RETAINING PLATE FRONT	1
10	10171-AXLE	1
11	10171-AXLE WASHER	2
12	400X8KN-SB10 PNEUMATIC WHEELS	2
13	10171-HOSE HOOK	2
14	10171-TINE POCKET	2
15	SPLIT LINK	1
16	10171-PINCH WELD PROPANE	1
17	10171-PLASTIC GRIP	2
18	10171-LOCKING PIN	2



D.O.T.
ENGINEERING

1 / 57 PARAMOUNT DRV
WANGARA. 6065
WESTERN AUSTRALIA.

TEL: (08) 9302 4166

FAX: (08) 9302 4099

THIS DRAWING AND THE INFORMATION ON IT
REMAINS THE PROPERTY OF DOT ENGINEERING
WRITTEN PERMISSION MUST BE OBTAINED FROM
DOT ENGINEERING TO COPY OR REPRODUCE
THE WHOLE OR PART OF THIS DRAWING.

DRAWN

RM

TITLE "S" SIZE SINGLE PROPANE TROLEY

CHECKED

SIZE 200KG

SCALE 1:12

DATE 15-Aug-13

APPROVED

PROJECT GAS BOTTLES

DWG 10171 - 1

REV 2