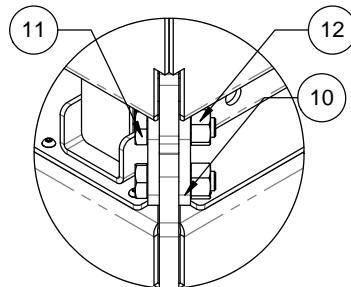
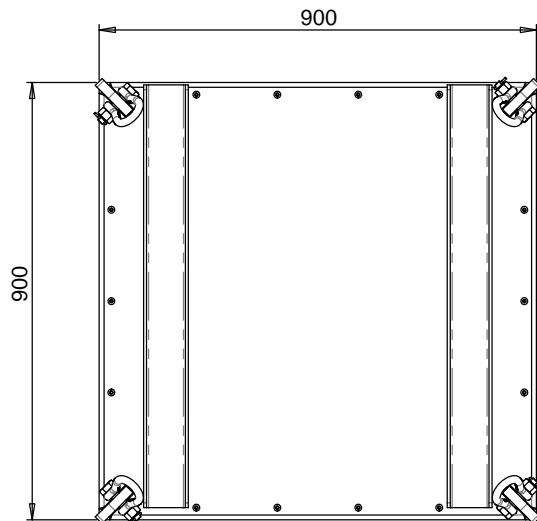
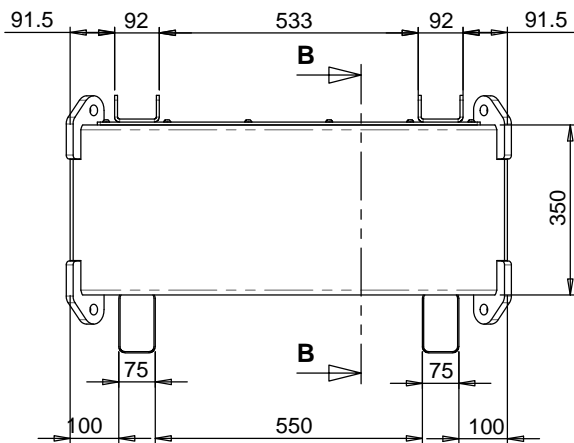
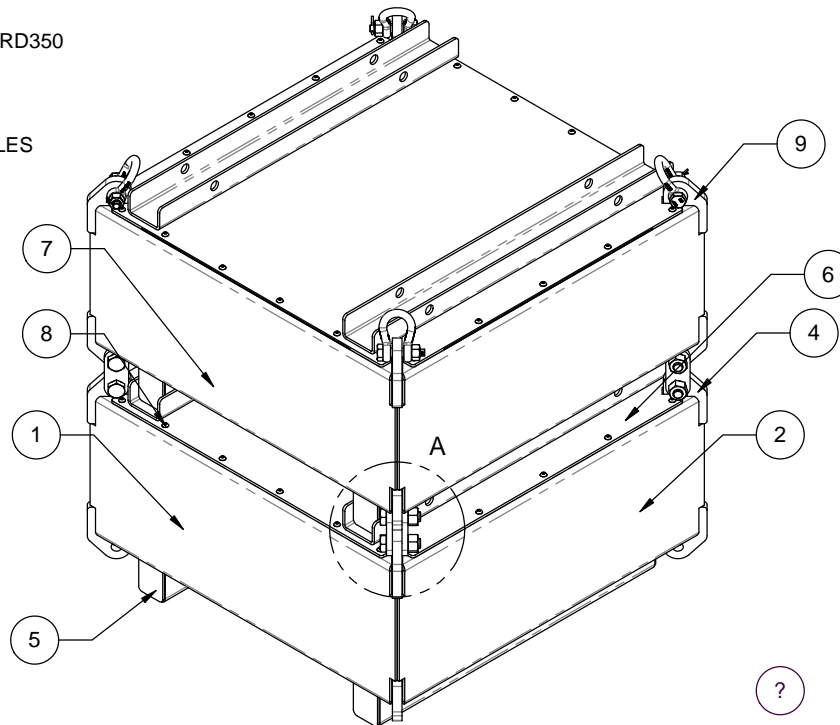


NOTE:

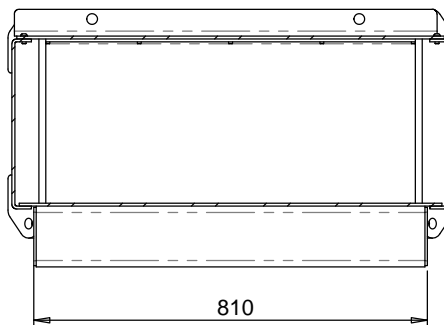
1. ALL WELDING AS 1554.1 CAT SP
2. ALL WELDS 6mm FILLET WELDS
3. ALL HOLLOW SECTION TO COMPLY WITHAS 1163 GRD350
4. ALL STEEL PLATE TO COMPLY WITH AS3678
6. FINISH SAFETY YELLOW
7. TARE WEIGHT OF EMPTY BOX 195 KG
8. LIFTING SLING APEX ANGLE 60 DEGREES
9. LUGS TO SUIT 3.25T GRD. "S" SAFETY BOW SHACKLES
10. STACK TEST WEIGHTS ON SOLID SURFACE ONLY



DETAIL A
SCALE 2 : 11



ACCOMMODATES NARROW PALLET JACK



SECTION B-B

ITEM NO.	PART NUMBER	Default /QTY.
1	11380-SIDE PANEL	2
2	11380-SIDE PANEL 2	2
3	11380-BOTTOM PLATE	1
4	11380-CORNER LUG	4
5	11380-FOOT	2
6	11380-TOP PLATE	1
7	11380-CHANNEL	2
8	M8 x 20 BUTTON HEAD SOCKET SCREW	22
9	11380-TEST WEIGHT ASSEMBLY	1
10	11380-LINK PLATE	8
11	M20 x 80 GRD 8.8 HEX HEAD BOLT	8
12	M20 HEX HEAD NUT	8
13	3.25T SAFETY BOW SHACKLE	4

**D.O.T.
ENGINEERING**

1 / 57 PARAMOUNT DRV
WANGARA. 6065
WESTERN AUSTRALIA.

TEL: (08) 9302 4166

FAX: (08) 9302 4099

THIS DRAWING AND THE INFORMATION ON IT
REMAINS THE PROPERTY OF DOT ENGINEERING
WRITTEN PERMISSION MUST BE OBTAINED FROM
DOT ENGINEERING TO COPY OR REPRODUCE
THE WHOLE OR PART OF THIS DRAWING.

DRAWN

RM

TITLE 1T TEST WEIGHT STACKABLE TO FOUR HIGH

CHECKED

SIZE 1T

SCALE

1:11

DATE

06-Apr-14

APPROVED

PROJECT TEST WEIGHTS

DWG

11380 - 1

REV

1