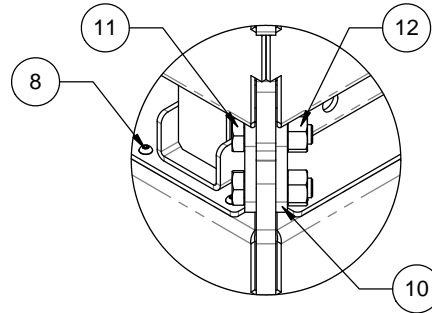
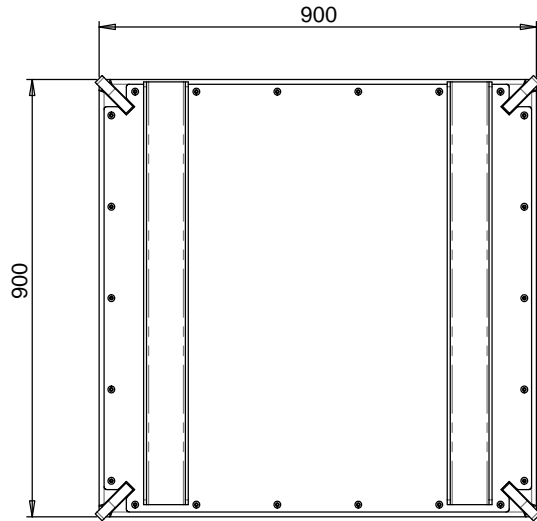
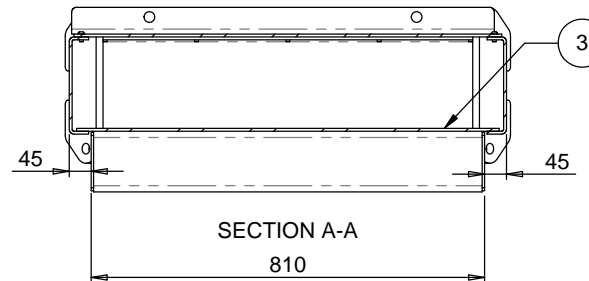
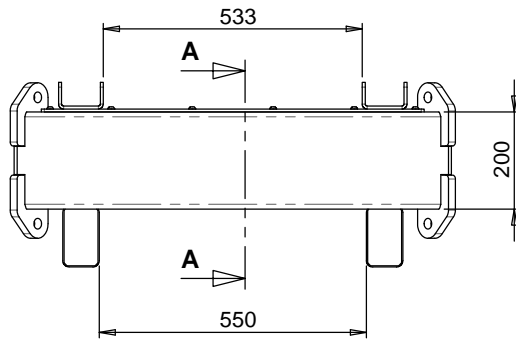
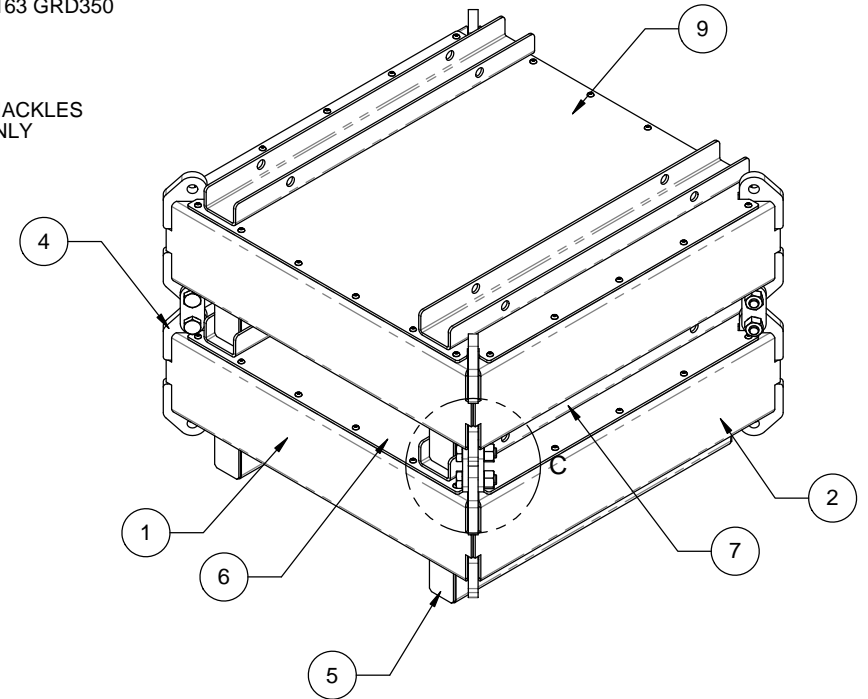


NOTE:

1. ALL WELDING AS 1554.1 CAT SP
2. ALL WELDS 6mm FILLET WELDS
3. ALL HOLLOW SECTION TO COMPLY WITH AS 1163 GRD350
4. ALL STEEL PLATE TO COMPLY WITH AS3678
6. FINISH SAFETY YELLOW
7. TARE WEIGHT OF EMPTY BOX 163 KG
8. LIFTING SLING APEX ANGLE 60 DEGREES
9. LUGS TO SUIT 3.25T GRD. "S" SAFETY BOW SHACKLES
10. STACK TEST WEIGHTS ON SOLID SURFACE ONLY



DETAIL C  
SCALE 2 : 11



ACCOMMODATES NARROW PALLET JACK

ITEM NO.	PART NUMBER	QTY.
1	11381-SIDE PANEL	2
2	11381-SIDE PANEL 2	2
3	11381-BOTTOM PLATE	1
4	11381-CORNER LUG	4
5	11381-FOOT	2
6	11381-TOP PLATE	1
7	11381-CHANNEL	2
8	M8 x 20 BUTTON HEAD SOCKET SCREW	22
9	11381-ASSEMBLY	1
10	11381-LINK PLATE	8
11	M20 X 75 GRD 8.8 HEX HEAD BOLT	8
12	M20 HEX HEAD NUT	8

**D.O.T.**  
**ENGINEERING**

1 / 57 PARAMOUNT DRV  
WANGARA. 6065  
WESTERN AUSTRALIA.

TEL: (08) 9302 4166

FAX: (08) 9302 4099

THIS DRAWING AND THE INFORMATION ON IT  
REMAINS THE PROPERTY OF DOT ENGINEERING  
WRITTEN PERMISSION MUST BE OBTAINED FROM  
DOT ENGINEERING TO COPY OR REPRODUCE  
THE WHOLE OR PART OF THIS DRAWING.

DRAWN

RM

TITLE

500KG-250KG TEST WEIGHT STACKABLE TO SIX HIGH

CHECKED

SIZE 500KG

SCALE

1:11

DATE

06-Apr-14

APPROVED

PROJECT TEST WEIGHTS

DWG

11381 - 1

REV

1