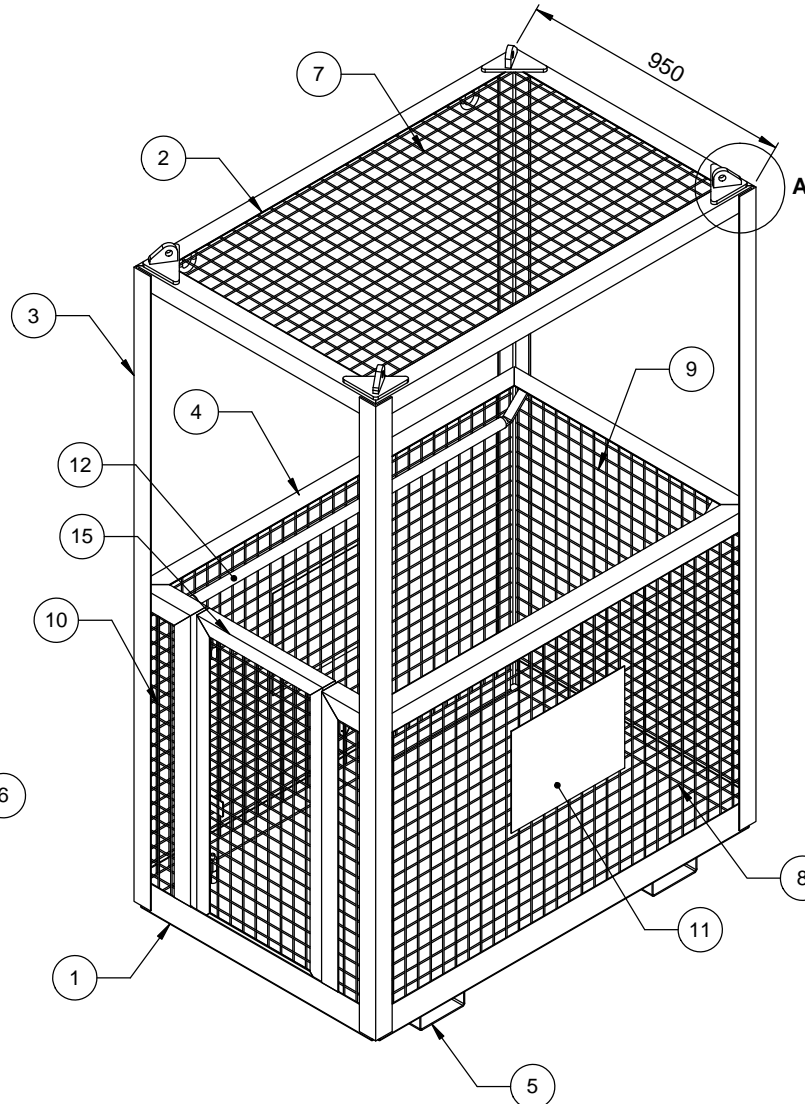
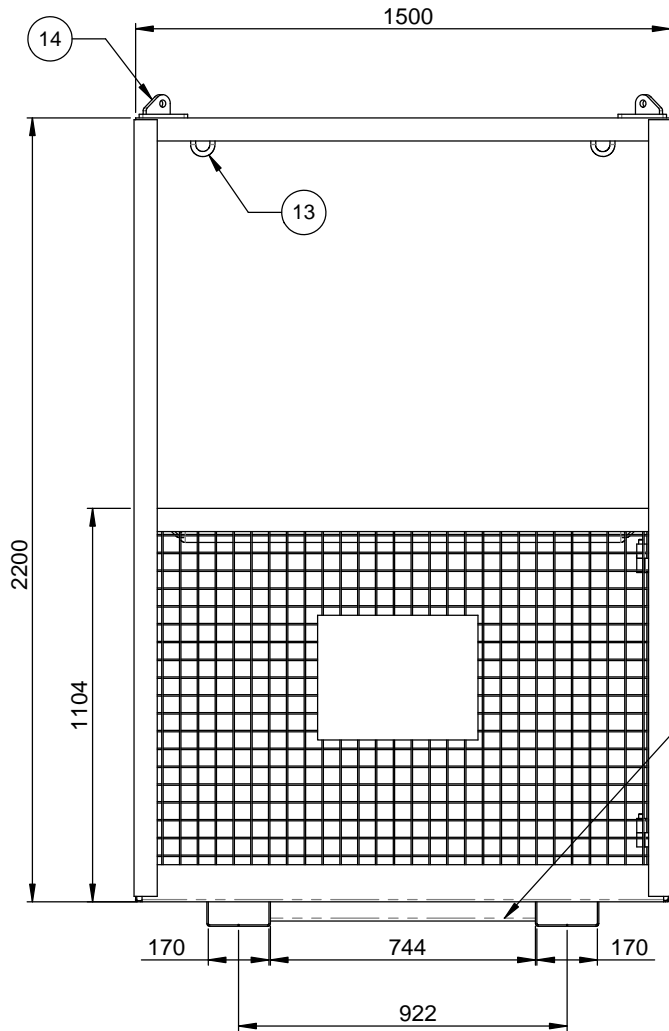
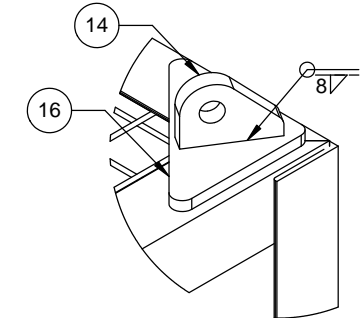


NOTE:

1. TARE WEIGHT 220KG - SWL 300KG - MAXIMUM HOISTED LOAD 520KG
2. SHACKLES TO BE 2T GRD "S" SAFETY BOW SHACKLES
3. SLINGS TO BE 13mm DIA. (MINIMUM) GRADE 1770 IWR WITH FERRULE SECURED EYES
4. LIFTING SLING APEX ANGLE SHALL BE 60 DEGREES
5. ALL WELDING TO COMPLY WITH AS1554.1 CAT SP 2004
6. ALL WELDS 5mm CONTINUOUS FILLET WELDS U.N.O.
7. WELD INSPECTION SHALL INCLUDE 100% VISUAL AND 100% M.P.I. TO ALL LOAD BEARING WELDS
8. WORK CAGE TO COMPLY WITH AS1418.17 1996
9. PROOF LOAD AND SIGNAGE TO COMPLY WITH AS1418.17 1996
10. FINISH POWDER COAT GOLDEN YELLOW
11. GATE TO BE INWARD OPENING AND SELF CLOSING



| ITEM NO. | PART NUMBER | QTY. |
|----------|----------------------------|------|
| 1 | 0611-FLOOR | 1 |
| 2 | 0611-TOP FRAME | 1 |
| 3 | 0611-SIDE ANGLE | 4 |
| 4 | 0611-MIDDLE FRAME ASSEMBLY | 1 |
| 5 | 0611-TINE POCKET | 2 |
| 6 | 0611-FLOOR STIFFENER | 2 |
| 7 | 0611-ROOF MESH | 1 |
| 8 | 0611-SIDE MESH | 2 |
| 9 | 0611-END MESH | 1 |
| 10 | 0611-INFILL MESH | 2 |
| 11 | 0611-SIGN PLATE | 2 |
| 12 | 0611-HAND RAIL | 2 |
| 13 | 0611-LANYARD ANCHOR | 2 |
| 14 | 0611-LIFTING LUG | 4 |
| 15 | 0611-GATE ASSEMBLY | 1 |
| 16 | 0611-LUG PAD | 4 |
| 17 | HINGE | 2 |
| 18 | PIVOT PIN | 2 |
| 19 | MagnaLatch assembly | 1 |
| 20 | LATCH PLATE LH | 1 |
| 21 | LATCH PLATE RH | 1 |
| 22 | 0611-SPRING PLATE | 1 |



**DETAIL A
SCALE 1 : 4**

**D.O.T.
ENGINEERING**

1 / 57 PARAMOUNT DRV
WANGARA. 6065
WESTERN AUSTRALIA.

TEL: (08) 9302 4166

FAX: (08) 9302 4099

THIS DRAWING AND THE INFORMATION ON IT
REMAINS THE PROPERTY OF DOT ENGINEERING
WRITTEN PERMISSION MUST BE OBTAINED FROM
DOT ENGINEERING TO COPY OR REPRODUCE
THE WHOLE OR PART OF THIS DRAWING.

| | | | | |
|----------|----|----------------------------|--------------|----------------|
| DRAWN | RM | TITLE TWO PERSON WORK CAGE | | |
| CHECKED | | SIZE 300 KG WLL | SCALE 1:15 | DATE 20-Apr-13 |
| APPROVED | | PROJECT CAGES | DWG 0611 - 1 | REV 2 |