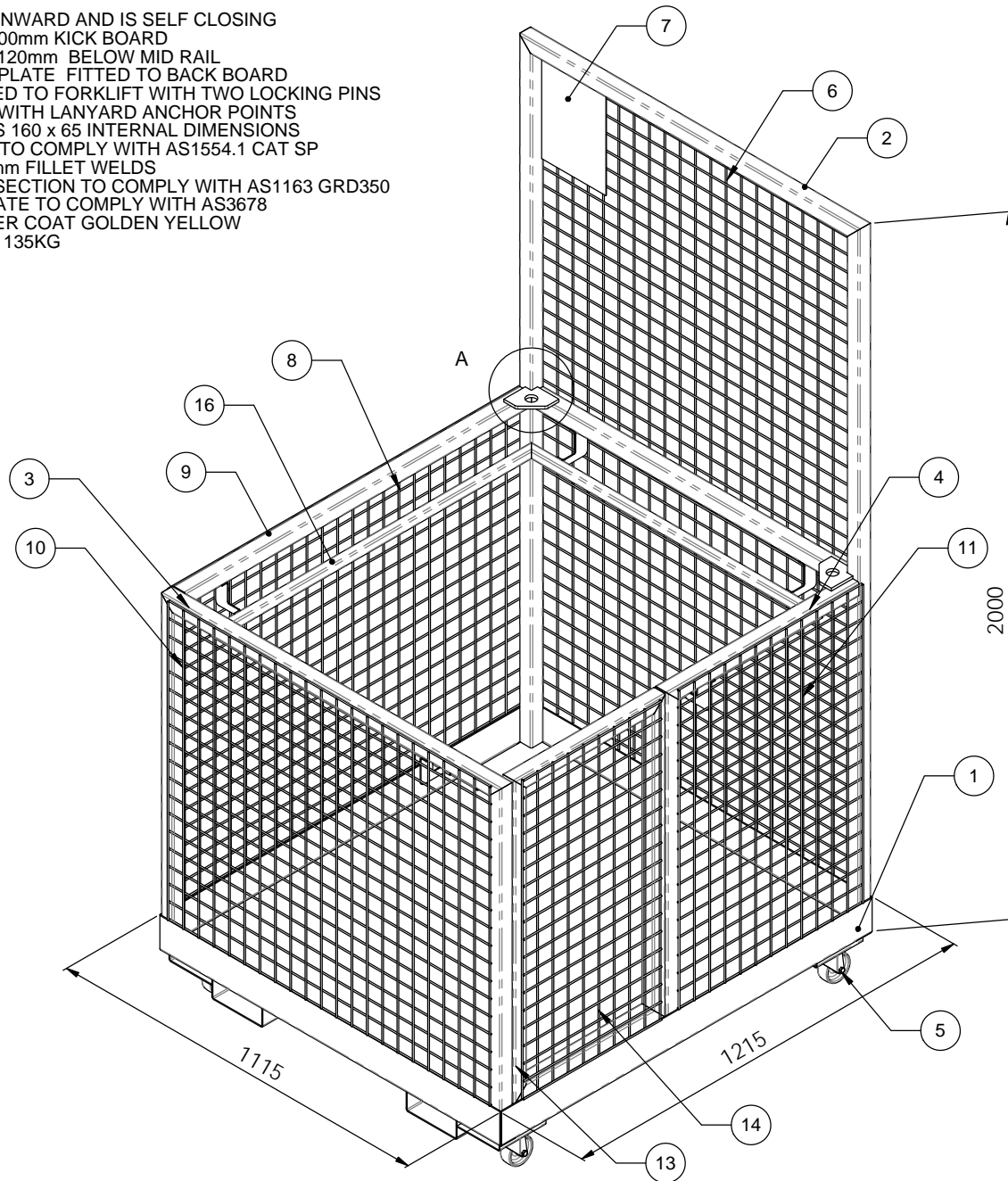
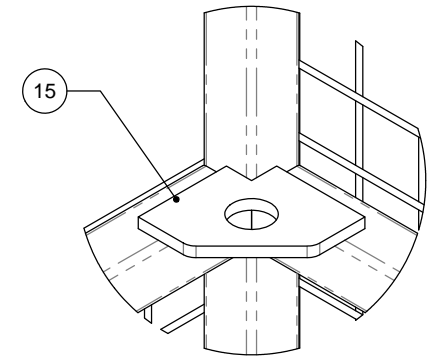


NOTE:

1. GATE OPENS INWARD AND IS SELF CLOSING
2. FLOOR HAS 100mm KICK BOARD
3. HAND RAIL IS 120mm BELOW MID RAIL
4. COMPLIANCE PLATE FITTED TO BACK BOARD
5. CAGE SECURED TO FORKLIFT WITH TWO LOCKING PINS
6. CAGE FITTED WITH LANYARD ANCHOR POINTS
7. TINE POCKETS 160 x 65 INTERNAL DIMENSIONS
8. ALL WELDING TO COMPLY WITH AS1554.1 CAT SP
9. ALL WELDS 5mm FILLET WELDS
10. ALL HOLLOW SECTION TO COMPLY WITH AS1163 GRD350
11. ALL STEEL PLATE TO COMPLY WITH AS3678
12. FINISH POWDER COAT GOLDEN YELLOW
13. TARE WEIGHT 135KG



| ITEM NO. | PART NUMBER | QTY. |
|----------|--|------|
| 1 | 10002-FLOOR ASSEMBLY | 1 |
| 2 | 10002-BACK FRAME | 1 |
| 3 | 10002-FRONT FRAME | 1 |
| 4 | 10002-R.H. SIDE FRAME | 1 |
| 5 | 75mm RICHMOND SWIVEL CASTOR S3304 | 4 |
| 6 | 10002-BACK MESH | 1 |
| 7 | SIGN PLATE 210mm x 310mm x 1.6 ZINC SEAL | 1 |
| 8 | 10002-LH MESH | 1 |
| 9 | 10002-L.H. SIDE RAIL | 1 |
| 10 | 10002-FRONT MESH | 1 |
| 11 | 10002-RH MESH | 1 |
| 12 | 100mm BUTT HINGE | 2 |
| 13 | 10002-GATE | 1 |
| 14 | 10002-GATE MESH | 1 |
| 15 | 10002-LANYARD ANCHOR POINT | 2 |
| 16 | 10002-HAND RAIL ASSEMBLY | 1 |



DETAIL A
SCALE 1 : 3

D.O.T.
ENGINEERING

1 / 57 PARAMOUNT DRV
WANGARA. 6065
WESTERN AUSTRALIA.

TEL: (08) 9302 4166

FAX: (08) 9302 4099

THIS DRAWING AND THE INFORMATION ON IT
REMAINS THE PROPERTY OF DOT ENGINEERING
WRITTEN PERMISSION MUST BE OBTAINED FROM
DOT ENGINEERING TO COPY OR REPRODUCE
THE WHOLE OR PART OF THIS DRAWING.

| | | | | |
|----------|----|---|---------------|----------------|
| DRAWN | RM | TITLE TWO PERSON FORKLIFT WORK PLATFORM | | |
| CHECKED | | SIZE 250 KG | SCALE 1:11 | DATE 17-Apr-11 |
| APPROVED | | PROJECT CAGES | DWG 10002 - 1 | REV 2 |