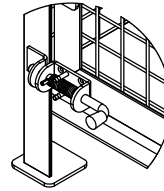
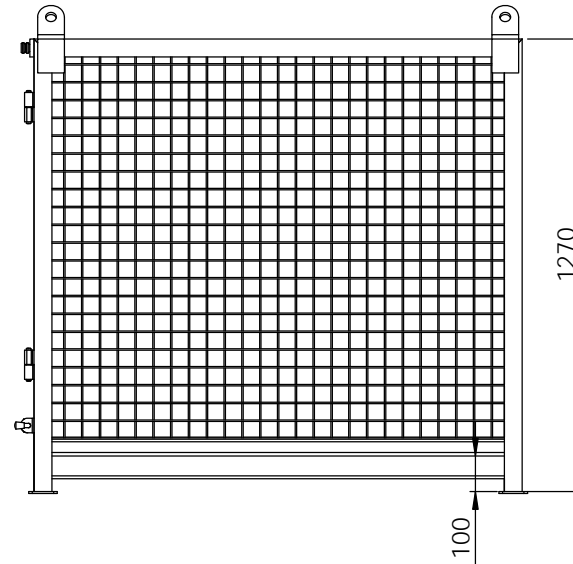
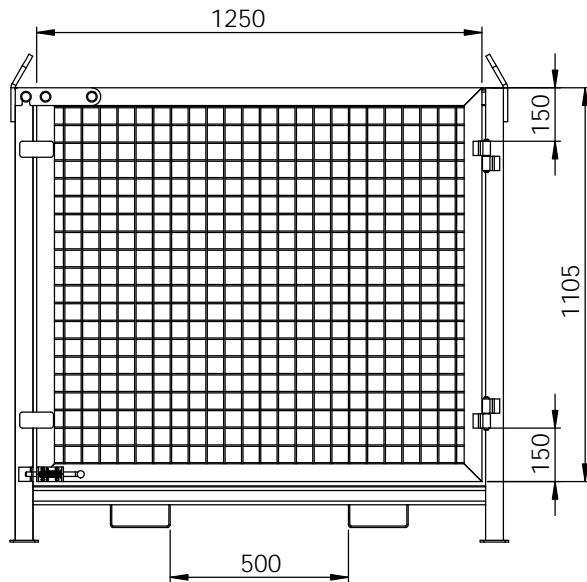
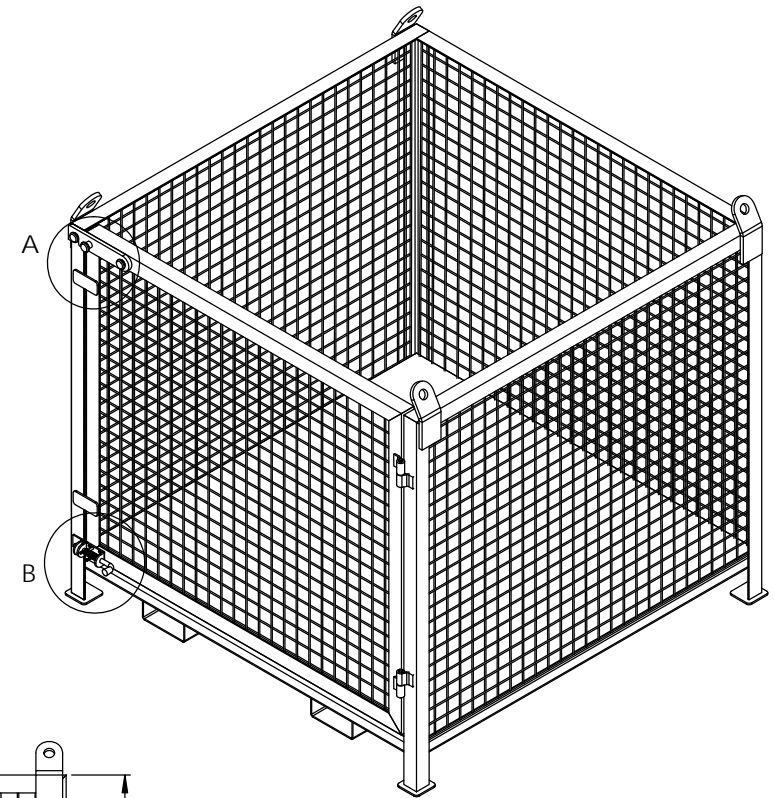


DETAIL A  
SCALE 2 : 15



DETAIL B  
SCALE 2 : 15



NOTE:

1. ALL WELDING AS 1554.1 CAT SP
2. ALL WELDS 5mm FILLET WELDS
3. ALL HOLLOW SECTION TO COMPLY WITH AS 1163 GRD350
4. ALL STEEL PLATE TO COMPLY WITH AS3678
5. ALL STEEL SECTION TO COMPLY WITH AS3679
6. FINISH POWDER COATED GOLDEN YELLOW
7. TARE WEIGHT 209 KG
8. LIFTING SLING APEX ANGLE 60 DEGREES

DRAWN	RM	TITLE CAGE ASSEMBLY	
CHECKED		SIZE 1T WLL	SCALE 1:15
APPROVED		PROJECT CAGES	DATE 14-Apr-11
			REV 0