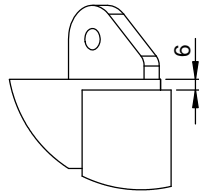
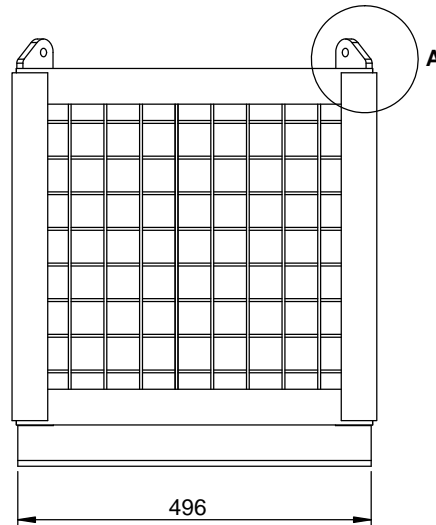
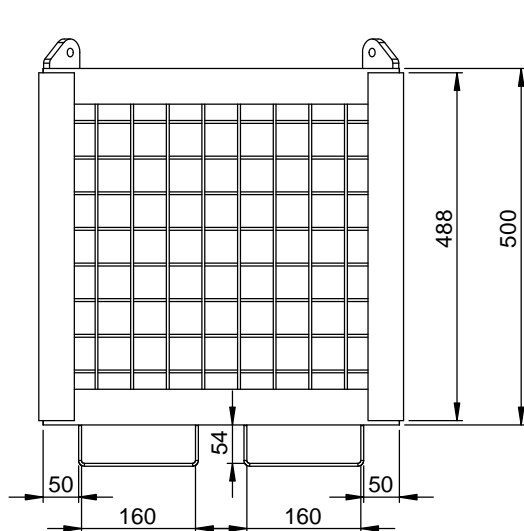
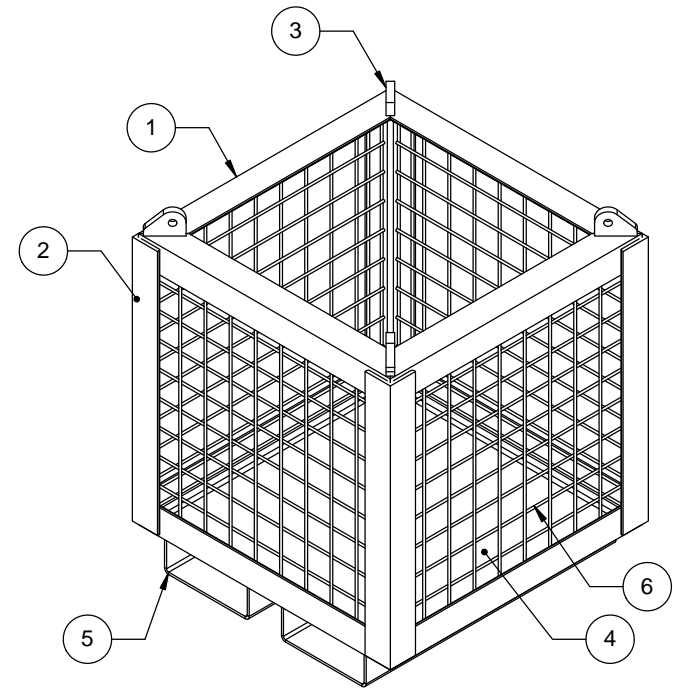


NOTE:

1. ALL WELDING AS 1554.1 CAT SP
2. ALL WELDS 5mm FILLET WELDS
3. ALL STEEL PLATE TO COMPLY WITH AS3678
4. ALL STEEL SECTION TO COMPLY WITH AS3679
5. FINISH POWDER COATED GOLDEN YELLOW
6. TARE WEIGHT 45 KG
7. LIFTING SLING APEX ANGLE 60 DEGREES



**DETAIL A
SCALE 1 : 3**



ITEM NO.	PART NUMBER	DESCRIPTION	QTY.
1	10020-FRAME	50 x 50 x 6 ANGLE	2
2	10020-UPRIGHT	50 x 50 x 6 ANGLE 488mm	4
3	10020-LIFTING LUG	12mm GRD250 STEEL PLATE	4
4	10020-BASE PLATE	3mm GRD250 STEEL PLATE	1
5	10020-TINE POCKET	3mm GRD250 STEEL PLATE	2
6	MESH 50 x 50 x 4 GALVANISED	450 x 450	4

**D.O.T.
ENGINEERING**

1 / 57 PARAMOUNT DRV
WANGARA. 6065
WESTERN AUSTRALIA.

TEL: (08) 9302 4166

FAX: (08) 9302 4099

THIS DRAWING AND THE INFORMATION ON IT
REMAINS THE PROPERTY OF DOT ENGINEERING
WRITTEN PERMISSION MUST BE OBTAINED FROM
DOT ENGINEERING TO COPY OR REPRODUCE
THE WHOLE OR PART OF THIS DRAWING.

DRAWN

RM

TITLE 500 x 500 x 500 GOODS CAGE

CHECKED

SIZE 500 KG WLL

SCALE

1:7.5

DATE

17-Jul-11

APPROVED

PROJECT CAGES

DWG

10020 - 1

REV

1