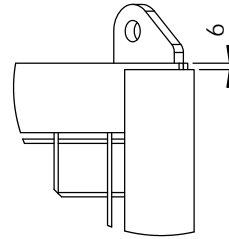
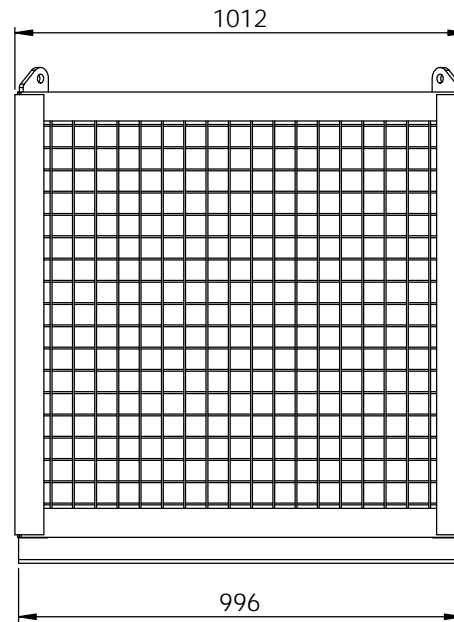
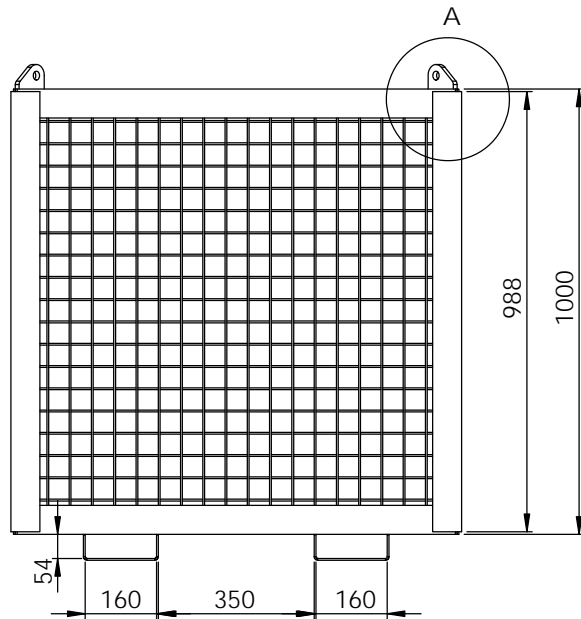
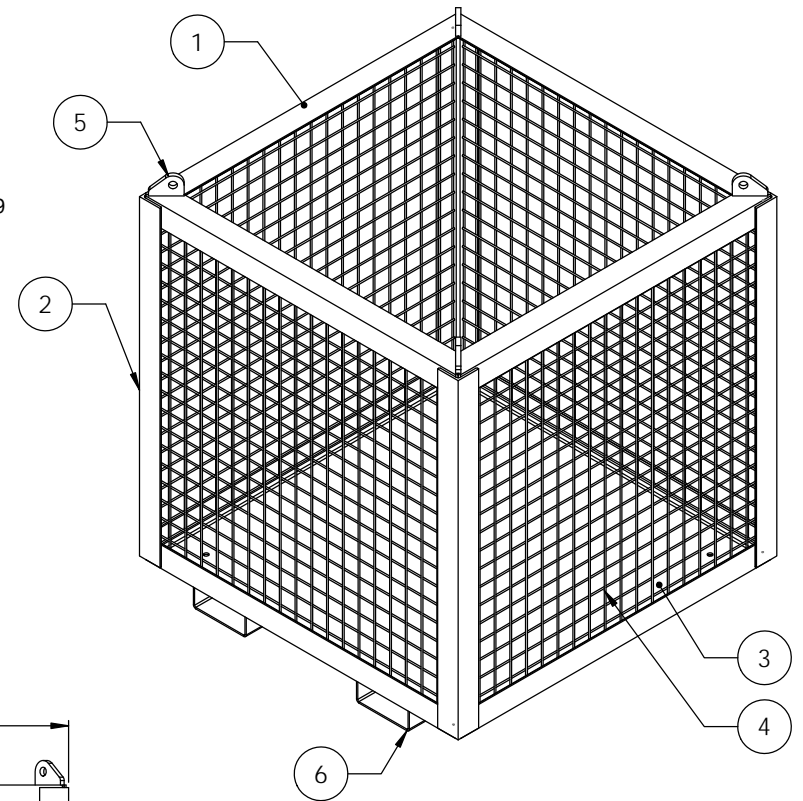


- NOTE:
1. ALL WELDING AS 1554.1 CAT SP
  2. ALL WELDS 5mm FILLET WELDS
  3. ALL STEEL PLATE TO COMPLY WITH AS3678
  4. ALL STEEL SECTION TO COMPLY WITH AS3679
  5. FINISH POWDER COATED GOLDEN YELLOW
  6. TARE WEIGHT 130 KG
  7. LIFTING SLING APEX ANGLE 60 DEGREES



DETAIL A  
SCALE 1 : 5



ITEM NO.	PART NUMBER	QTY.
1	10086-TOP & BOTTOM FRAMES	2
2	10086-UPRIGHT ANGLE	4
3	BASE PLATE 4mm GRD250 925 x 925	1
4	MESH 50 x 50 x 4 GALVANISED	4
5	10086-LIFTING LUG	4
6	10086-TINE POCKET	2

**D.O.T.**  
**ENGINEERING**

1 / 57 PARAMOUNT DRV  
WANGARA. 6065  
WESTERN AUSTRALIA.

TEL: (08) 9302 4166

FAX: (08) 9302 4099

THIS DRAWING AND THE INFORMATION ON IT  
REMAINS THE PROPERTY OF DOT ENGINEERING  
WRITTEN PERMISSION MUST BE OBTAINED FROM  
DOT ENGINEERING TO COPY OR REPRODUCE  
THE WHOLE OR PART OF THIS DRAWING.

DRAWN

RM

CHECKED

APPROVED

TITLE 1000 x 1000 x 1000 GOODS CAGE

SIZE 1 T WLL

SCALE 1:12

DATE 25-Jun-04

PROJECT CAGES

DWG 10086 - 1

REV 0