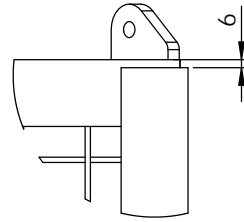
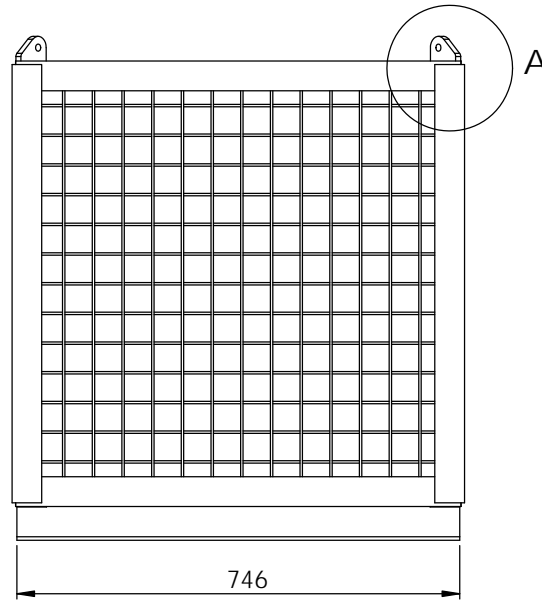
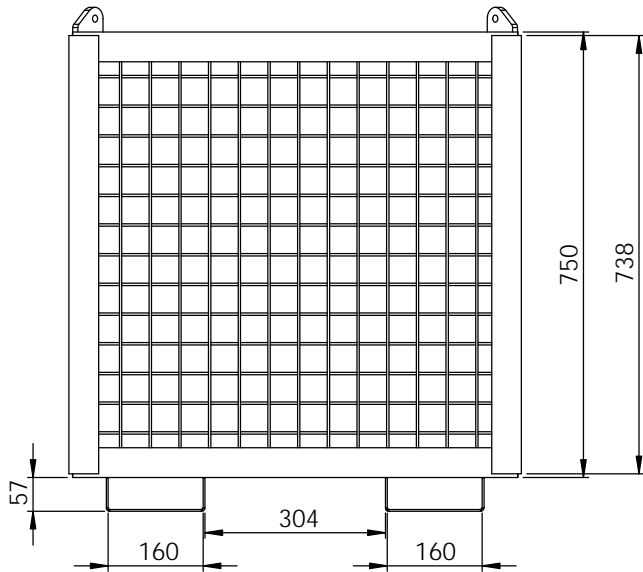
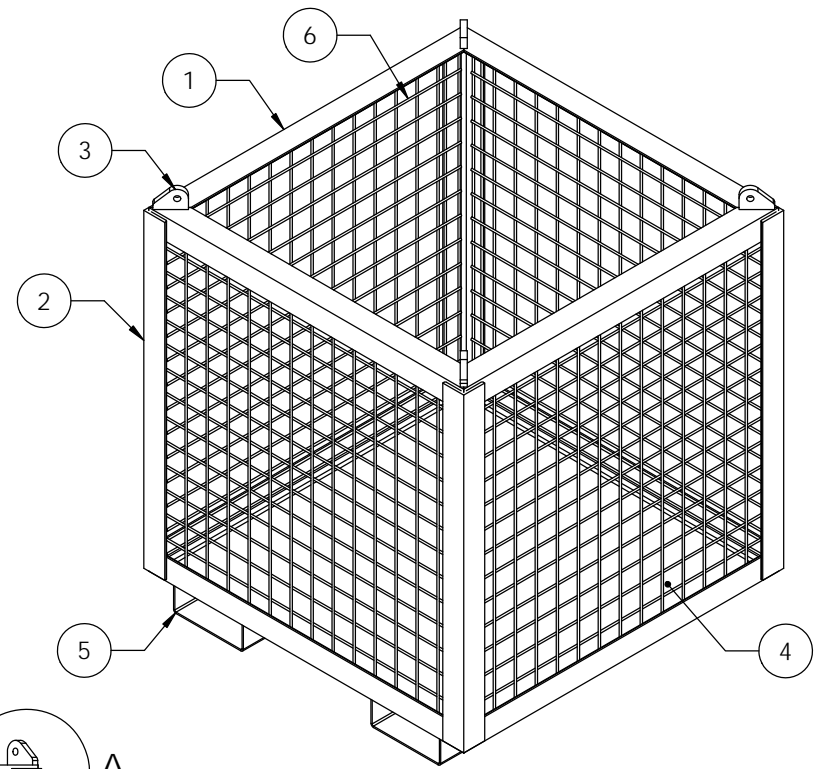


NOTE:

1. ALL WELDING AS 1554.1 CAT SP
2. ALL WELDS 5mm FILLET WELDS
3. ALL STEEL PLATE TO COMPLY WITH AS3678
4. ALL STEEL SECTION TO COMPLY WITH AS3679
5. FINISH POWDER COATED GOLDEN YELLOW
6. TARE WEIGHT 76 KG
7. LIFTING SLING APEX ANGLE 60 DEGREES



DETAIL A
SCALE 1 : 4



ITEM NO.	PART NUMBER	QTY.
1	10088-FRAME	2
2	10088-VERTICAL ANGLE	4
3	10088-LIFTING LUG	4
4	FLOOR PLATE 4mm GRD250 700 x 700	1
5	10088-TINE POCKET	2
6	MESH 50 x 50 x 4 GALVANISED	4

D.O.T.
ENGINEERING

1 / 57 PARAMOUNT DRV
WANGARA. 6065
WESTERN AUSTRALIA.

TEL: (08) 9302 4166

FAX: (08) 9302 4099

THIS DRAWING AND THE INFORMATION ON IT
REMAINS THE PROPERTY OF DOT ENGINEERING
WRITTEN PERMISSION MUST BE OBTAINED FROM
DOT ENGINEERING TO COPY OR REPRODUCE
THE WHOLE OR PART OF THIS DRAWING.

DRAWN

RM

CHECKED

APPROVED

TITLE 750 x 750 x 750 GOODS CAGE

SIZE 750KG WLL

SCALE 1:9

DATE 04-May-11

PROJECT CAGES

DWG 10088 - 1

REV 1