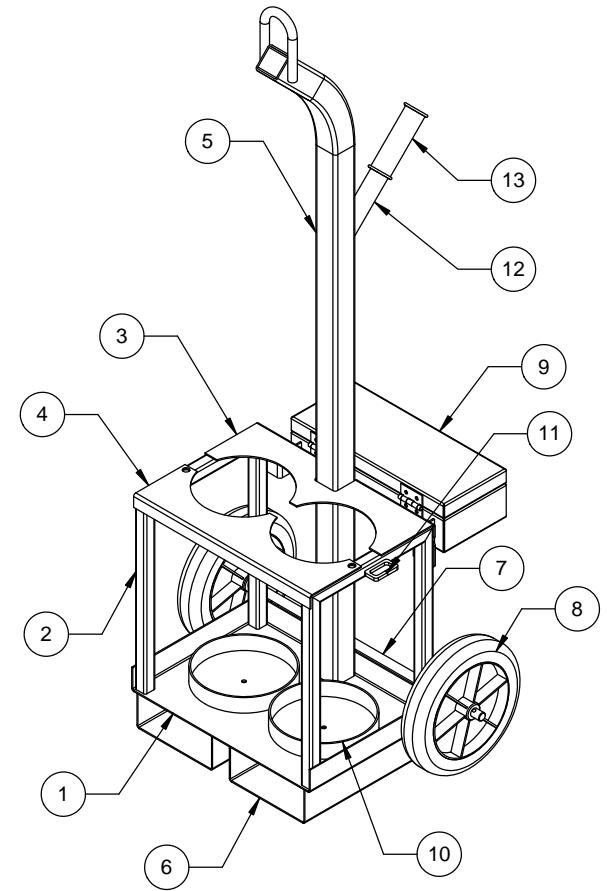
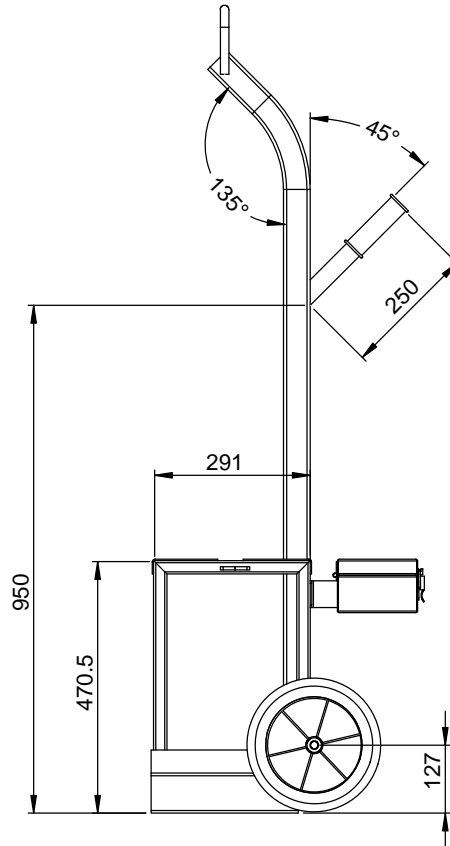
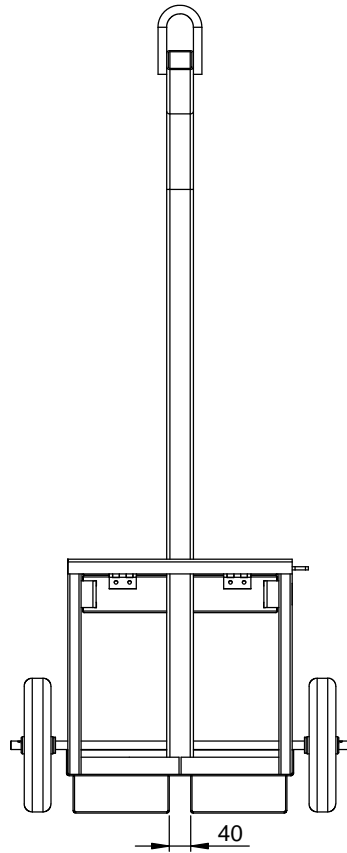


NOTE:

1. ALL WELDING TO COMPLY WITH AS1554.1 CAT SP
2. ALL WELDS 5mm FILLET WELDS
3. ALL HOLLOW SECTION TO COMPLY WITH AS1163 GRD350
4. ALL STEEL PLATE TO COMPLY WITH AS3678
5. TARE WEIGHT 29KG
6. FINISH POWDER COAT GOLDEN YELLOW
7. PROOF LOAD AND MARKINGS TO COMPLY WITH AS4991

ITEM NO.	PART NUMBER	QTY.
1	10168-BASE	1
2	10168-SIDE FRAME	2
3	10168-REAR GUIDE PLATE	1
4	10168-FRONT GUIDE PLATE	1
5	10168-LIFTING BAR ASSEMBLY	1
6	10168-TINE POCKET	2
7	10168-AXLE ASSEMBLY	1
8	WHEEL RICHMOND ER1006	2
9	10168-TOOL BOX ASSEMBLY	1
10	10168-RETAINING RING	2
11	10168-6mm SPLIT LINK	1
12	10168-HANDLE	1
13	10168-RUBBER GRIP	1



**D.O.T.**  
**ENGINEERING**

1 / 57 PARAMOUNT DRV  
WANGARA. 6065  
WESTERN AUSTRALIA.

TEL: (08) 9302 4166

FAX: (08) 9302 4099

THIS DRAWING AND THE INFORMATION ON IT  
REMAINS THE PROPERTY OF DOT ENGINEERING  
WRITTEN PERMISSION MUST BE OBTAINED FROM  
DOT ENGINEERING TO COPY OR REPRODUCE  
THE WHOLE OR PART OF THIS DRAWING.

DRAWN	RM	TITLE "D" SIZE OXY/ACET TROLLEY		
CHECKED		SIZE 100KG	SCALE 1:10	DATE 07-Jan-13
APPROVED		PROJECT GAS BOTTLES	DWG 10168 - 1	REV 1