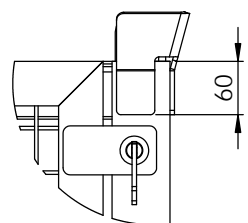
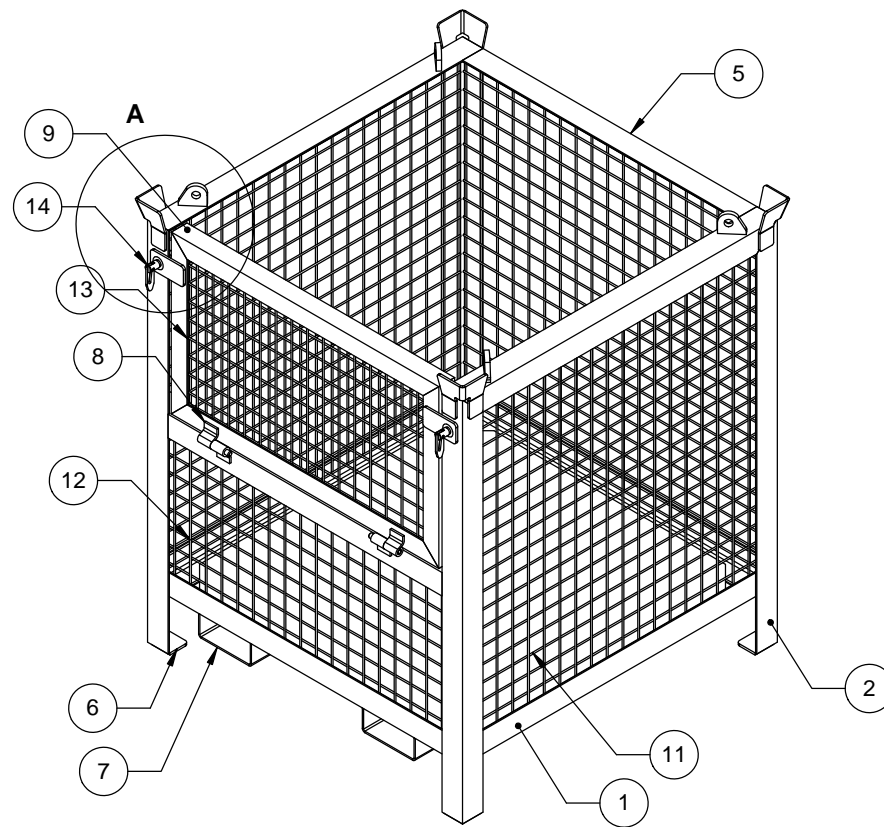
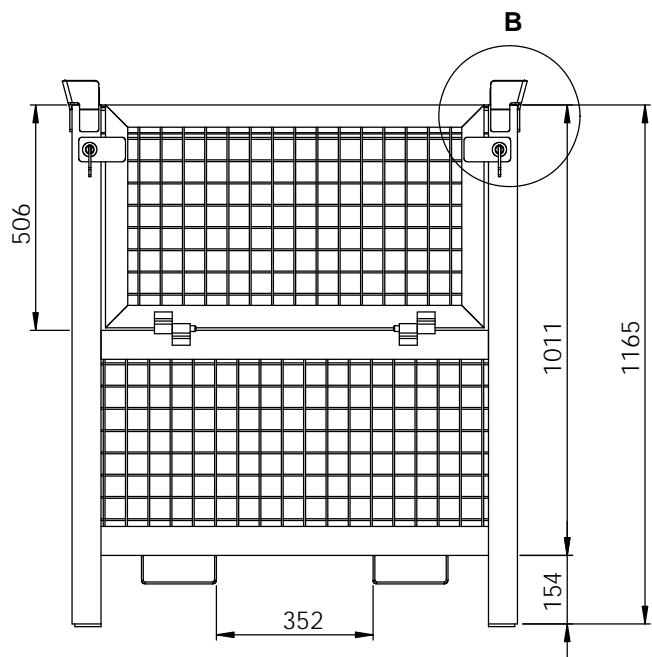


**DETAIL A**  
SCALE 1 : 6



**DETAIL B**  
SCALE 1 : 6



- NOTE:
1. ALL WELDING AS 1554.1 CAT SP
  2. ALL WELDS 5mm FILLET WELDS U.O.N.
  3. ALL STEEL PLATE TO COMPLY WITH AS3678
  4. ALL STEEL SECTION TO COMPLY WITH AS3679
  5. FINISH POWDER SAFETY YELLOW
  6. TARE WEIGHT 145 KG
  7. SLING APEX ANGLE 60 DEGREES
  8. USE ONLY FOUR LEG SLING FOR LIFTING CAGE

ITEM NO.	PART NUMBER	QTY.
1	FLOOR FRAME	1
2	SIDE FRAME	1
3	FLOOR PLATE	1
4	REAR ANGLE	1
5	FRONT ANGLE	1
6	FOOT	4
7	TINE POCKET	2
8	UTILITY HINGE	2
9	GATE FRAME	1
10	STACK CORNER SMALL	1
11	950 x 950 MESH	3
12	950 x 450 MESH	1
13	800 x 450 MESH	1
14	UTILITY LATCH ASSEMBLY	2
15	GATE STOP PLATE	2
16	LIFTING LUG	4

**D.O.T.**  
**ENGINEERING**

1 / 57 PARAMOUNT DRV  
WANGARA. 6065  
WESTERN AUSTRALIA.

**TEL: (08) 9302 4166**

**FAX: (08) 9302 4099**

THIS DRAWING AND THE INFORMATION ON IT  
REMAINS THE PROPERTY OF DOT ENGINEERING  
WRITTEN PERMISSION MUST BE OBTAINED FROM  
DOT ENGINEERING TO COPY OR REPRODUCE  
THE WHOLE OR PART OF THIS DRAWING.

DRAWN

RM

CHECKED

APPROVED

TITLE STACKABLE GOODS CAGE WITH HALF GATE

SIZE 1T WLL

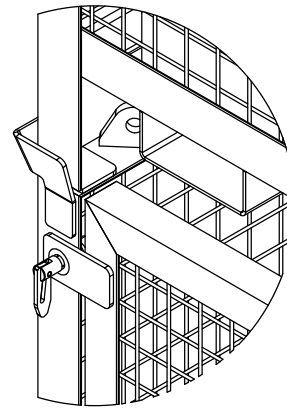
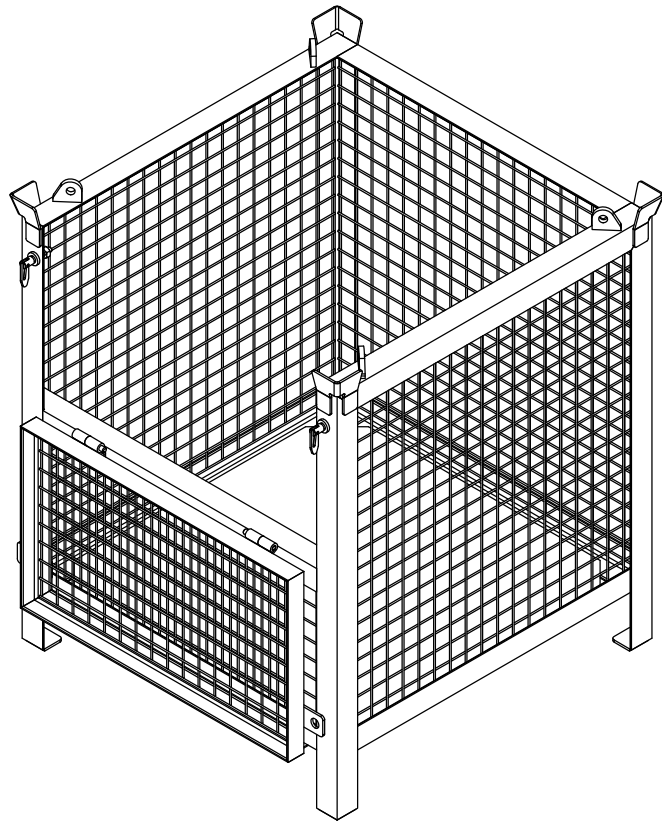
SCALE 1:12

DATE 10-Apr-12

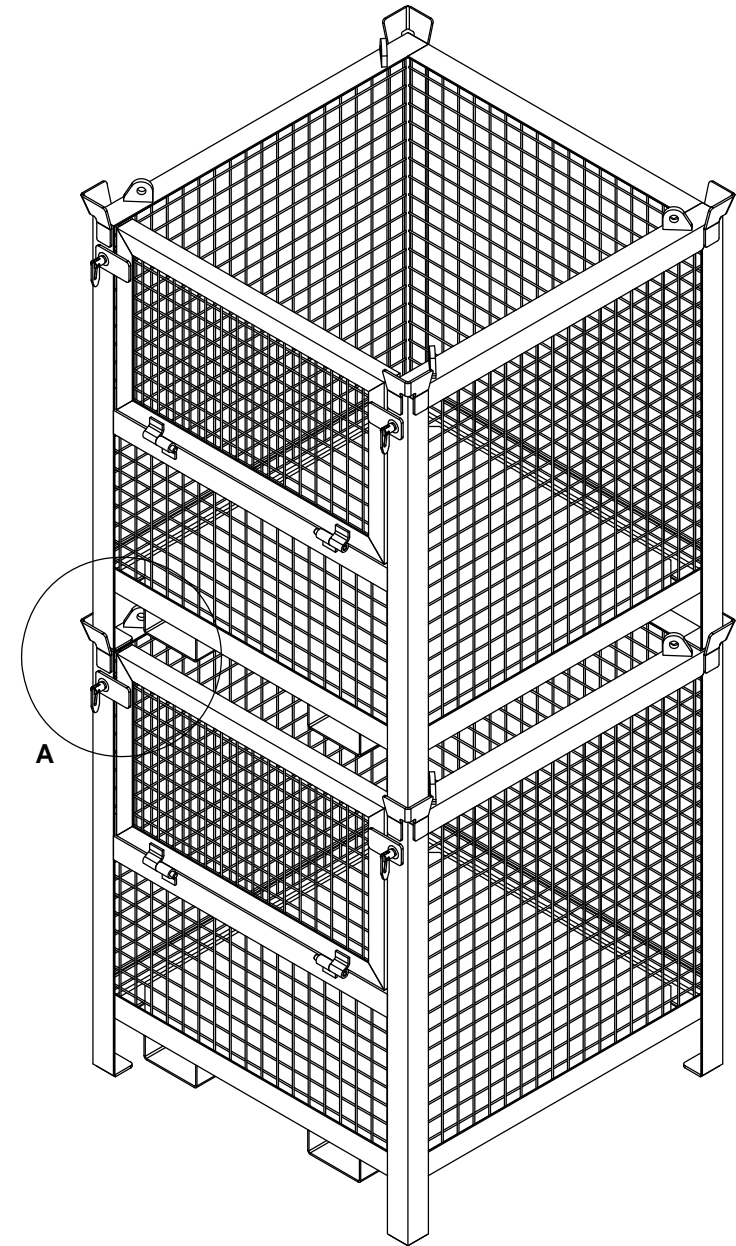
PROJECT CAGES

DWG 11111 - 1

REV 2



**DETAIL A**  
**SCALE 1 : 6**



**D.O.T.**  
**ENGINEERING**

1 / 57 PARAMOUNT DRV  
WANGARA. 6065  
WESTERN AUSTRALIA.

**TEL: (08) 9302 4166**

**FAX: (08) 9302 4099**

THIS DRAWING AND THE INFORMATION ON IT  
REMAINS THE PROPERTY OF DOT ENGINEERING  
WRITTEN PERMISSION MUST BE OBTAINED FROM  
DOT ENGINEERING TO COPY OR REPRODUCE  
THE WHOLE OR PART OF THIS DRAWING.

DRAWN	RM	TITLE	CAGE ASSEMBLY		
CHECKED		SIZE	1T WLL	SCALE	1:12
APPROVED		PROJECT	CAGES	DWG	11111 - 2
				DATE	10-Apr-12
				REV	2