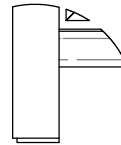
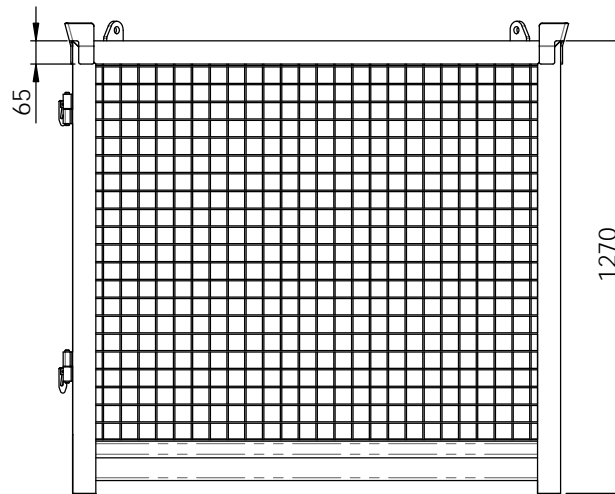
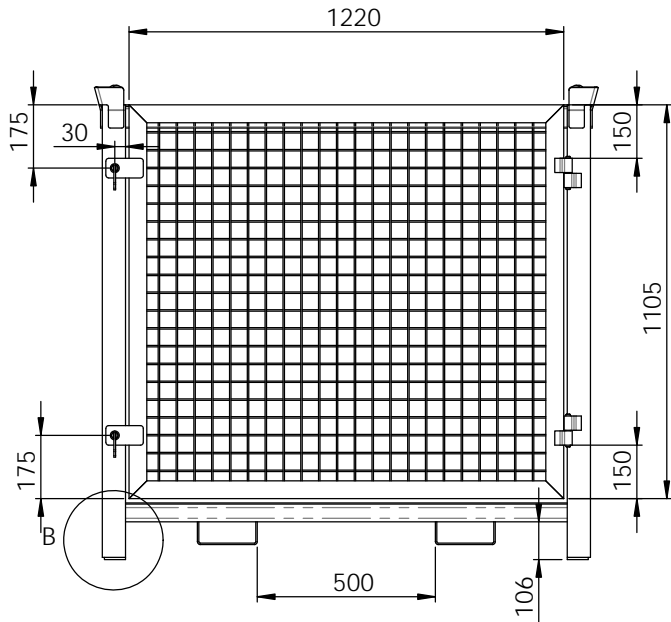
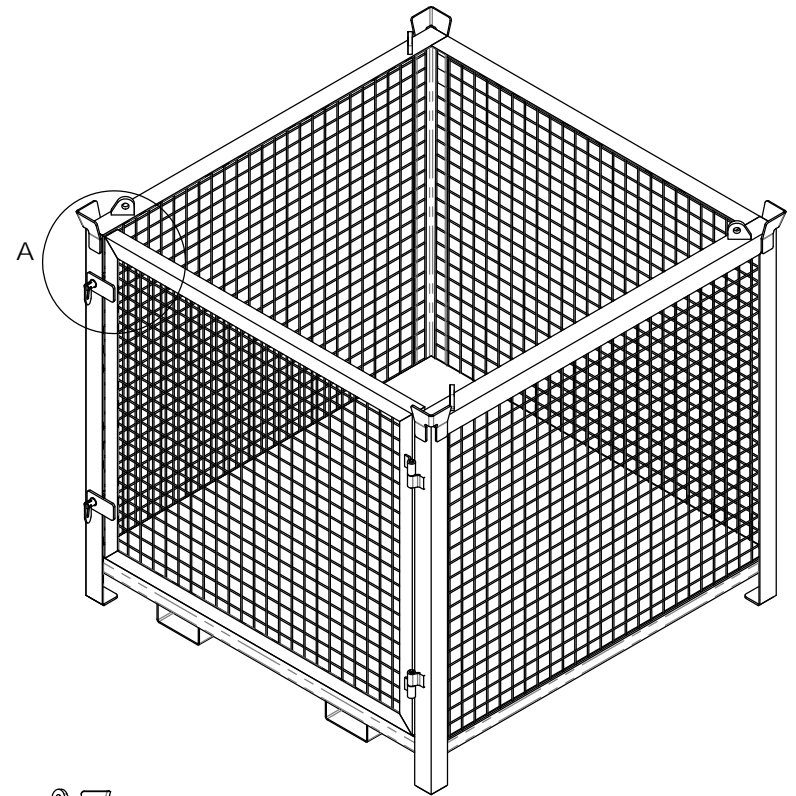


DETAIL A  
SCALE 2 : 15



DETAIL B  
SCALE 2 : 15



NOTE:

1. ALL WELDING AS 1554.1 CAT SP
2. ALL WELDS 5mm FILLET WELDS
3. ALL HOLLOW SECTION TO COMPLY WITH AS 1163 GRD350
4. ALL STEEL PLATE TO COMPLY WITH AS3678
5. ALL STEEL SECTION TO COMPLY WITH AS3679
6. FINISH POWDER COATED SAFETY YELLOW
7. TARE WEIGHT 230 KG
8. LIFTING SLING APEX ANGLE 60 DEGREES

**D.O.T.**  
**ENGINEERING**

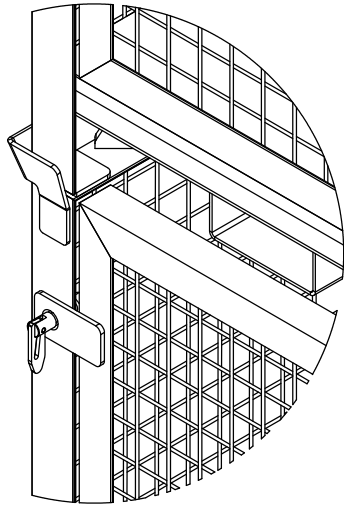
1 / 57 PARAMOUNT DRV  
WANGARA. 6065  
WESTERN AUSTRALIA.

TEL: (08) 9302 4166

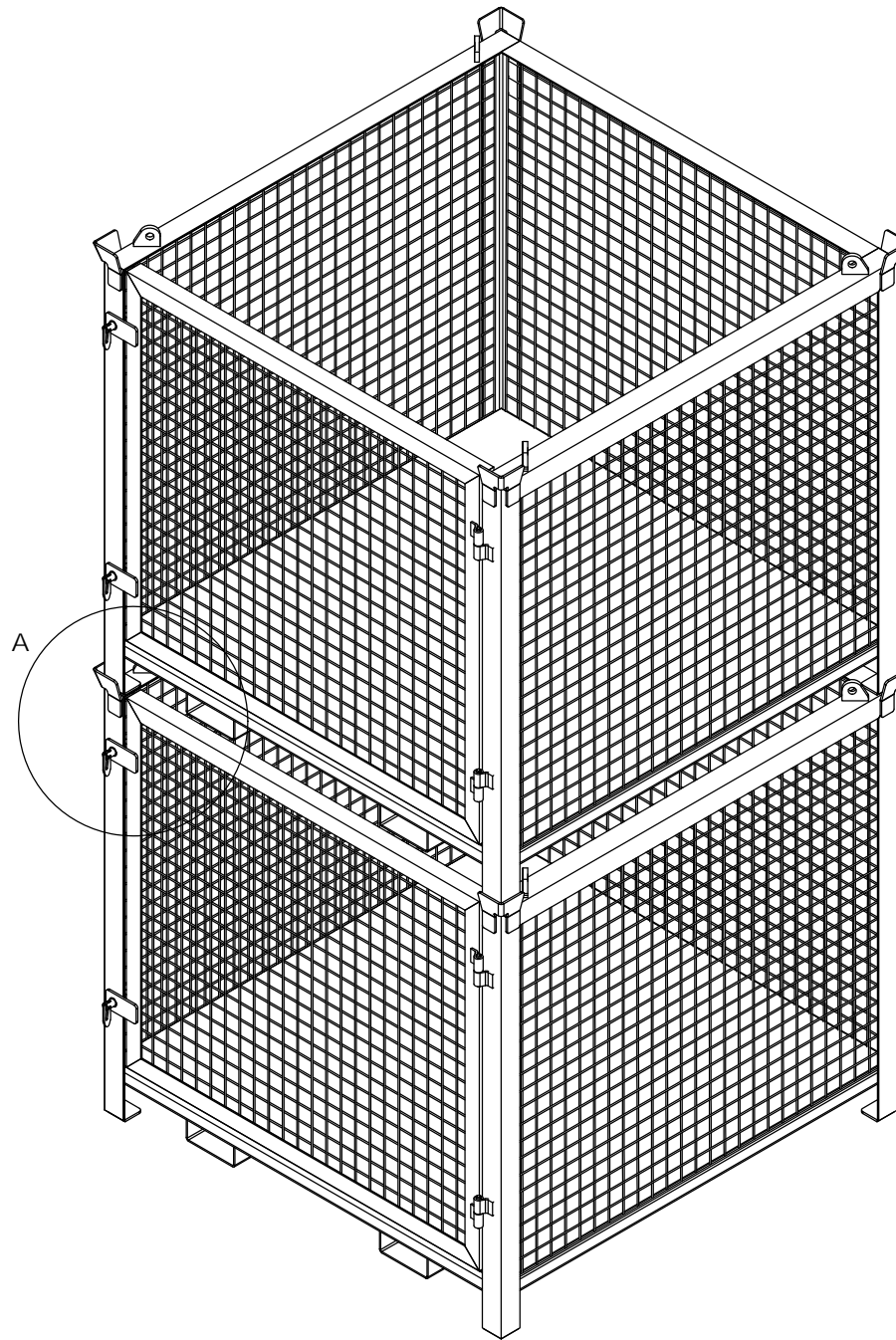
FAX: (08) 9302 4099

THIS DRAWING AND THE INFORMATION ON IT  
REMAINS THE PROPERTY OF DOT ENGINEERING  
WRITTEN PERMISSION MUST BE OBTAINED FROM  
DOT ENGINEERING TO COPY OR REPRODUCE  
THE WHOLE OR PART OF THIS DRAWING.

DRAWN	RM	TITLE CAGE ASSEMBLY		
CHECKED		SIZE 1T WLL	SCALE 1:15	DATE 07-Jun-13
APPROVED		PROJECT CAGES	DWG 11245 - 1	REV 0



DETAIL A  
SCALE 1 : 6



**D.O.T.**  
**ENGINEERING**

1 / 57 PARAMOUNT DRV  
WANGARA. 6065  
WESTERN AUSTRALIA.

**TEL: (08) 9302 4166**

**FAX: (08) 9302 4099**

THIS DRAWING AND THE INFORMATION ON IT  
REMAINS THE PROPERTY OF DOT ENGINEERING  
WRITTEN PERMISSION MUST BE OBTAINED FROM  
DOT ENGINEERING TO COPY OR REPRODUCE  
THE WHOLE OR PART OF THIS DRAWING.

DRAWN	RM	TITLE	CAGE STACKED		
CHECKED		SIZE	1T WLL	SCALE	1:13
APPROVED		PROJECT	CAGES	DWG	11245 - 2
				DATE	07-Jun-13
				REV	0