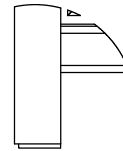
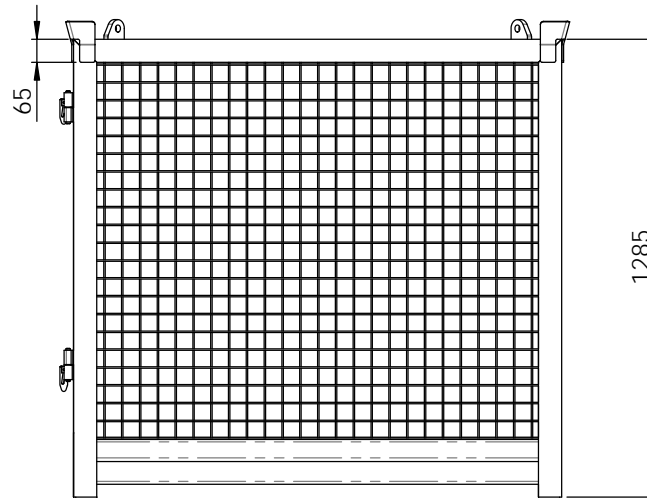
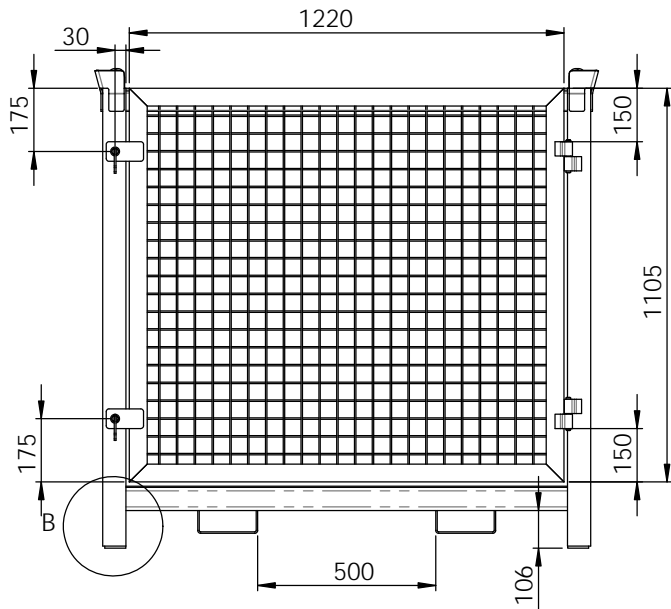
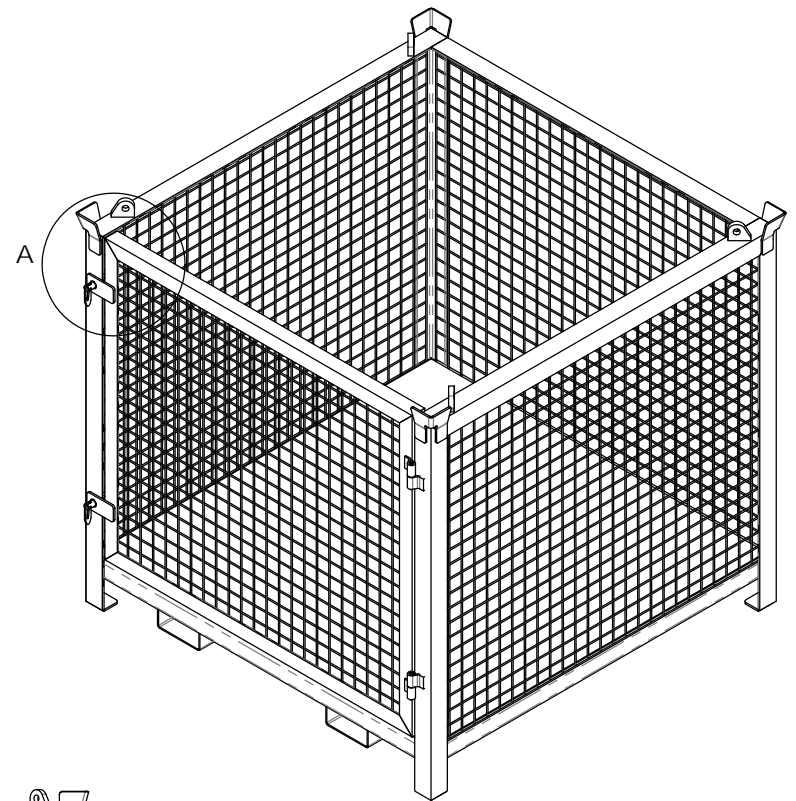


DETAIL A
SCALE 2 : 15



DETAIL B
SCALE 2 : 15



NOTE:

1. ALL WELDING AS 1554.1 CAT SP
2. ALL WELDS 5mm FILLET WELDS
3. ALL HOLLOW SECTION TO COMPLY WITH AS 1163 GRD350
4. ALL STEEL PLATE TO COMPLY WITH AS3678
5. ALL STEEL SECTION TO COMPLY WITH AS3679
6. FINISH POWDER COATED SAFETY YELLOW
7. TARE WEIGHT 263 KG
8. LIFTING SLING APEX ANGLE 60 DEGREES

D.O.T.
ENGINEERING

1 / 57 PARAMOUNT DRV
WANGARA. 6065
WESTERN AUSTRALIA.

TEL: (08) 9302 4166

FAX: (08) 9302 4099

THIS DRAWING AND THE INFORMATION ON IT
REMAINS THE PROPERTY OF DOT ENGINEERING
WRITTEN PERMISSION MUST BE OBTAINED FROM
DOT ENGINEERING TO COPY OR REPRODUCE
THE WHOLE OR PART OF THIS DRAWING.

DRAWN	RM	TITLE 2T STACKABLE PALLET CAGE	
CHECKED		SIZE 2T WLL	SCALE 1:15
APPROVED		PROJECT CAGES	DATE 17-Jul-13
			DWG 11262 - 1
			REV 0