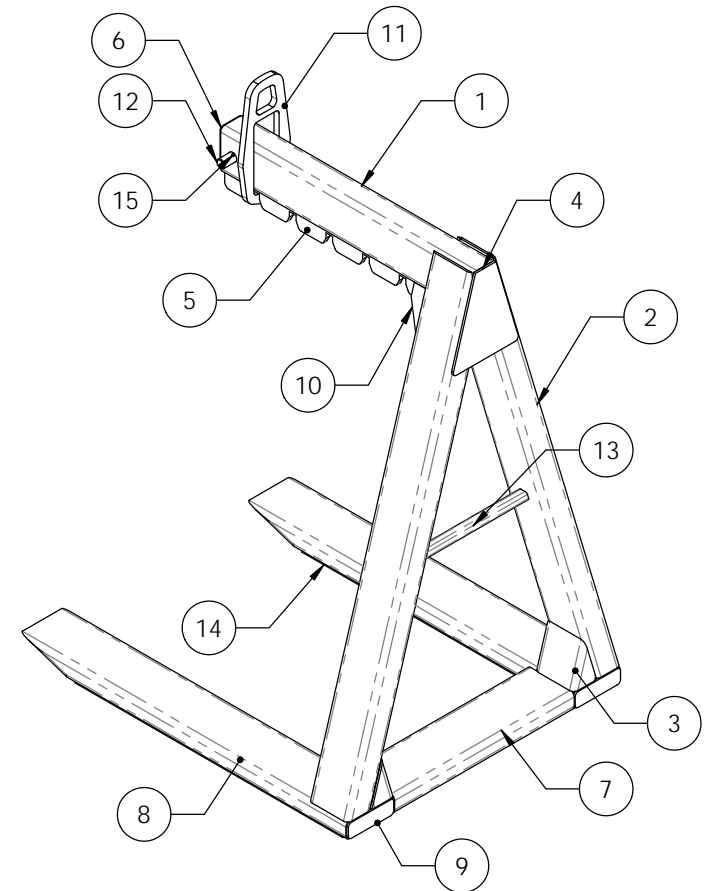
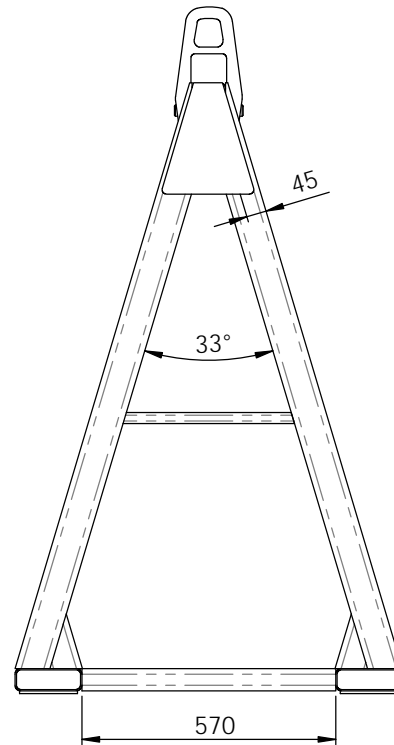


**NOTE:**

1. ALL WELDING AS 1554.1 CAT SP
2. ALL WELDS 6mm FILLET WELDS
3. ALL STEEL PLATE TO COMPLY WITH AS3678
4. ALL HOLLOW SECTION TO COMPLY WITH AS1163
5. FINISH POWDER COATED GOLDEN YELLOW
6. TARE WEIGHT 114 KG EACH
7. PROOF LOAD & MARKINGS TO COMPLY WITH AS4991

ITEM NO.	PART NUMBER	QTY.
1	LIFTING BAR	1
2	SIDE MEMBER	2
3	GUSSET	2
4	TOP BACK PLATE	1
5	LUG LOCATION PLATE	2
6	LIFTING BAR END CAP	1
7	CROSS SUPPORT BOTTOM	1
8	TINE	2
9	TINE END CAP	2
10	TOP GUSSET	2
11	LIFTING LUG	1
12	STOP PIN	1
13	CROSS SUPPORT CENTRE	1
14	FLAT BAR	2
15	8mm x 35mm ROLL PIN	2



**D.O.T.  
ENGINEERING**

1 / 57 PARAMOUNT DRV  
WANGARA. 6065  
WESTERN AUSTRALIA.

**TEL: (08) 9302 4166**

**FAX: (08) 9302 4099**

THIS DRAWING AND THE INFORMATION ON IT  
REMAINS THE PROPERTY OF DOT ENGINEERING  
WRITTEN PERMISSION MUST BE OBTAINED FROM  
DOT ENGINEERING TO COPY OR REPRODUCE  
THE WHOLE OR PART OF THIS DRAWING.

DRAWN	RM	TITLE STANDARD PALLET LIFTING FORK		
CHECKED		SIZE 2T WLL	SCALE 1:12	DATE 23-Apr-11
APPROVED		PROJECT PALLET	DWG 10021 - 1	REV 1