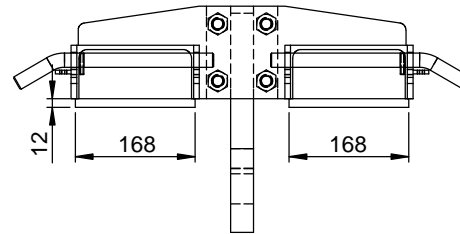
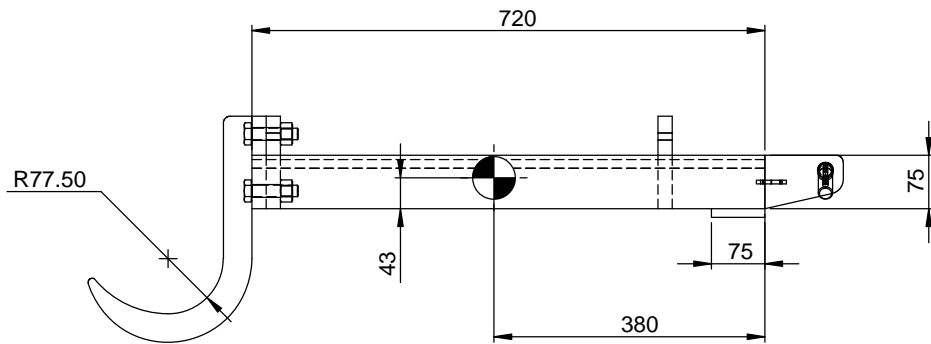
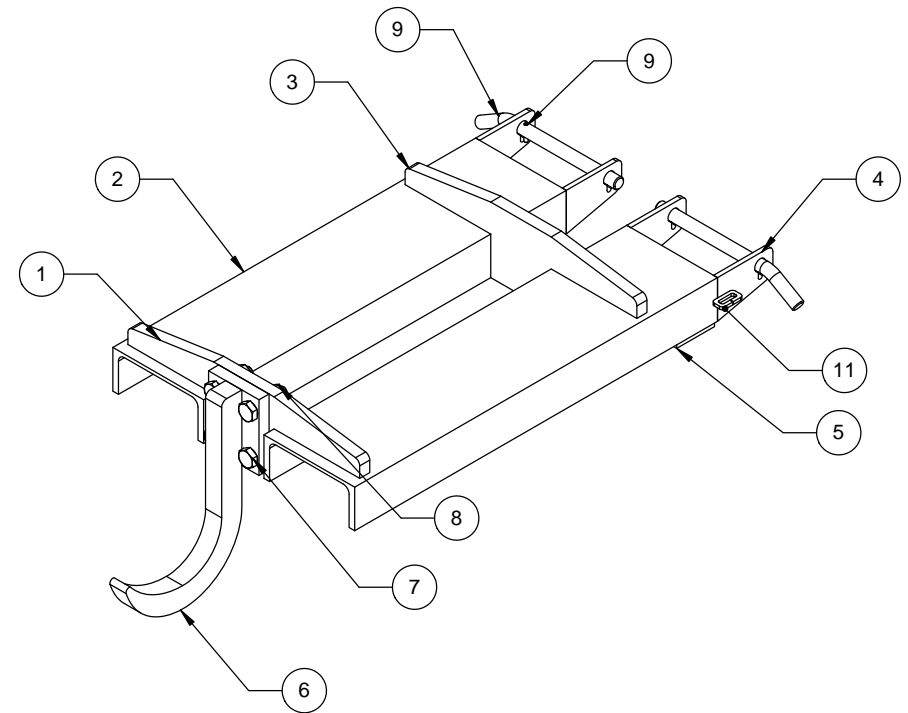
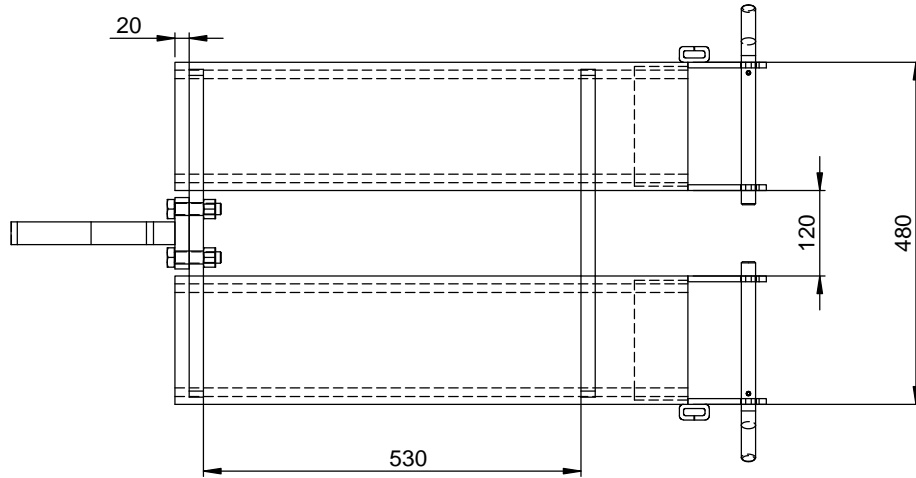


NOTE:

1. ALL WELDING TO COMPLY WITH AS1554.1 CAT SP
2. ALL WELDS 6mm C.F.W.
3. ALL STEEL PLATE TO COMPLY WITH AS3678
4. ALL STEEL HOLLOW SECTIONS TO COMPLY WITH AS1163 GRD350
5. COMPLIES WITH AS2359.1 WHERE PRACTICAL
6. FINISH POWDER COAT GOLDEN YELLOW
7. TARE WEIGHT 51KG



ITEM NO.	PART NUMBER	QTY.
1	10030-FRONT PLATE	1
2	180 PFC x 720mm	2
3	10030-REAR PLATE	1
4	10030-RESTRAINT PLATE	4
5	BOTTOM PLATE 75 x 12 FLAT BAR 168mm	2
6	10030-HOOK ASSEMBLY	1
7	AS-NZS 1252 - M16 x 65 BOLT	4
8	AS-NZS 1252 NS - M16 NUT	4
9	10030-RESTRAINT PIN	2
10	6mm x 30mm ROLL PIN	2
11	SPLIT LINK	2

**D.O.T.
ENGINEERING**

1 / 57 PARAMOUNT DRV
WANGARA. 6065
WESTERN AUSTRALIA.

TEL: (08) 9302 4166

FAX: (08) 9302 4099

THIS DRAWING AND THE INFORMATION ON IT
REMAINS THE PROPERTY OF DOT ENGINEERING
WRITTEN PERMISSION MUST BE OBTAINED FROM
DOT ENGINEERING TO COPY OR REPRODUCE
THE WHOLE OR PART OF THIS DRAWING.

DRAWN

RM

TITLE CBC BULKA BAG LIFTING HOOK

CHECKED

SIZE 1.5T WLL

SCALE

1:7.5

DATE
01-Jun-13

APPROVED

PROJECT FORK ATTACH.

DWG

10030 - 1

REV

0