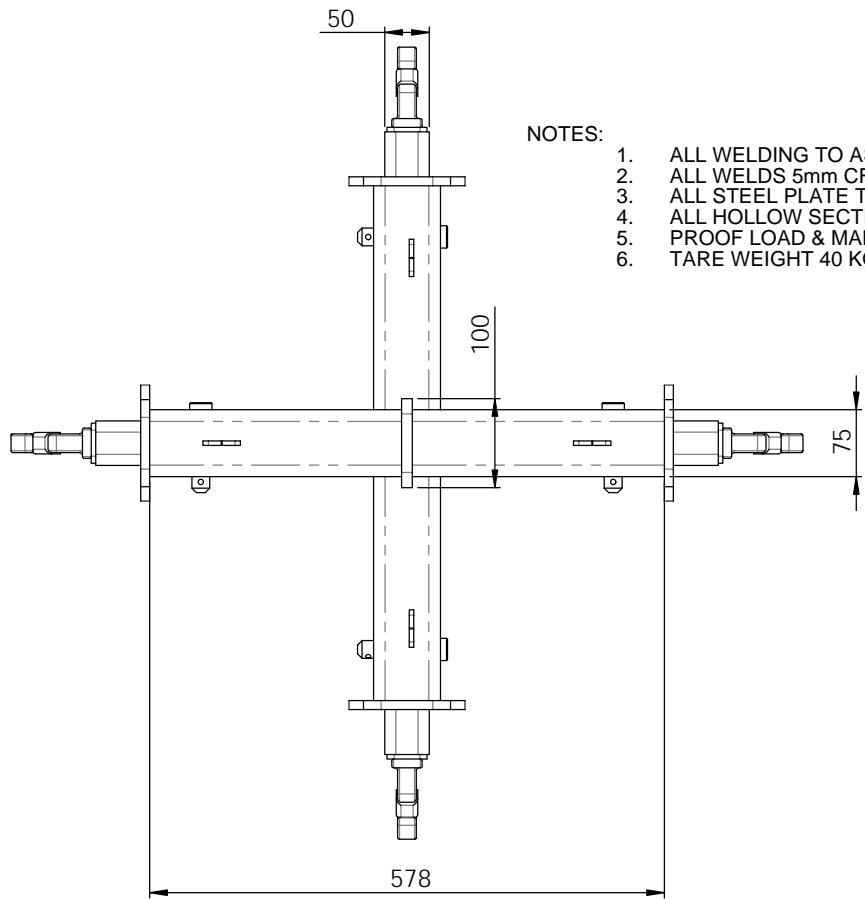
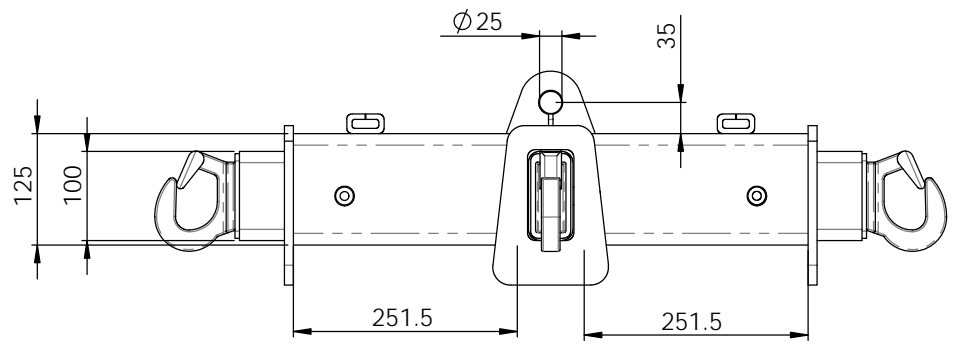
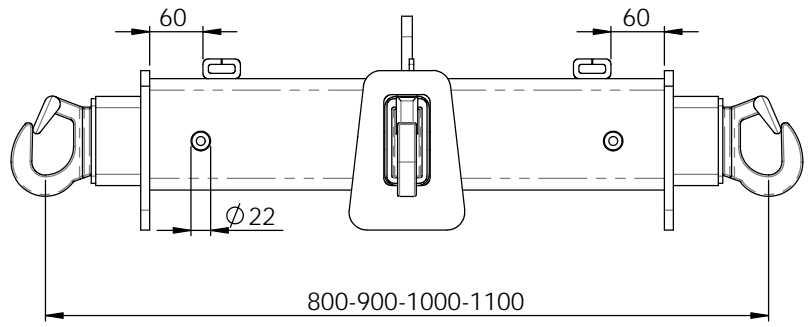
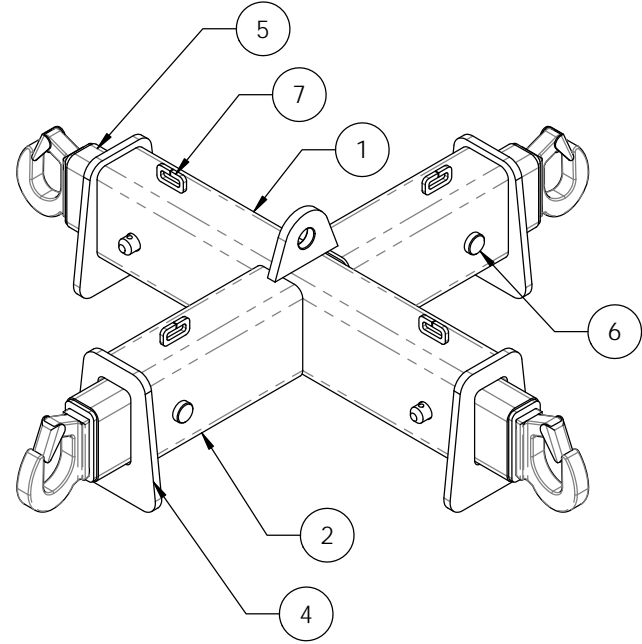


ITEM NO.	PART NUMBER	QTY.
1	LONG ARM	1
2	SHORT ARM	1
3	LIFTING LUG	1
4	GUIDE PLATE	4
5	INNER ARM ASSEMBLY	4
6	LOCATION PIN	4
7	SPLIT LINK	4



- NOTES:
1. ALL WELDING TO AS 1554.1 CAT SP
 2. ALL WELDS 5mm CFW
 3. ALL STEEL PLATE TO AS3678
 4. ALL HOLLOW SECTIONS TO AS1163 GRD350
 5. PROOF LOAD & MARKINGS TO AS 4991
 6. TARE WEIGHT 40 KGS



D.O.T.
ENGINEERING

1 / 57 PARAMOUNT DRV
WANGARA. 6065
WESTERN AUSTRALIA.

TEL: (08) 9302 4166
FAX: (08) 9302 4099

THIS DRAWING AND THE INFORMATION ON IT
REMAINS THE PROPERTY OF DOT ENGINEERING
WRITTEN PERMISSION MUST BE OBTAINED FROM
DOT ENGINEERING TO COPY OR REPRODUCE
THE WHOLE OR PART OF THIS DRAWING.

DRAWN	RM	TITLE	ADJUSTABLE BULKA BAG LIFTING FRAME		
CHECKED		SIZE	2T WLL	SCALE	1:6
APPROVED		PROJECT	BULKA BAG	DWG	10040 - 1
				DATE	04-May-12
				REV	0