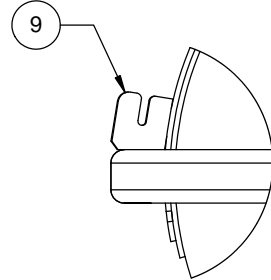
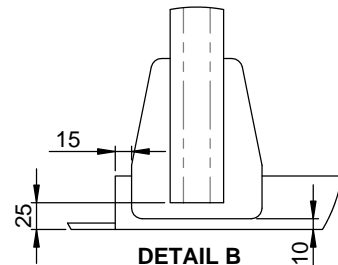
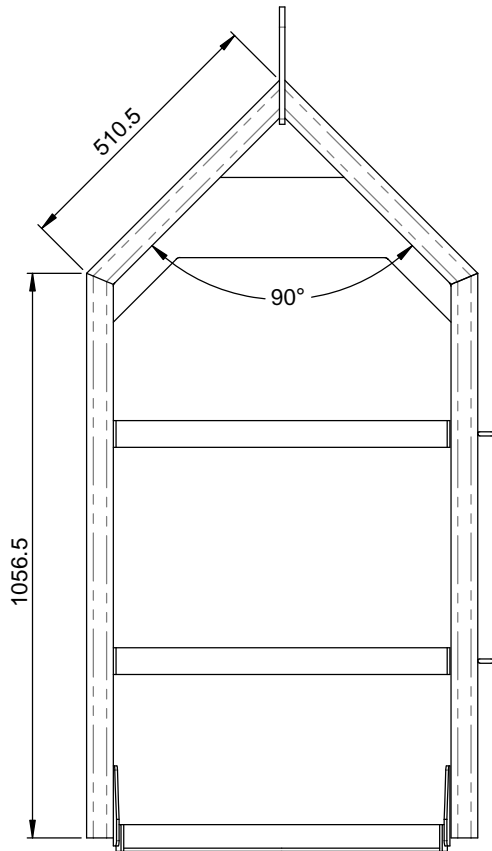


NOTE:

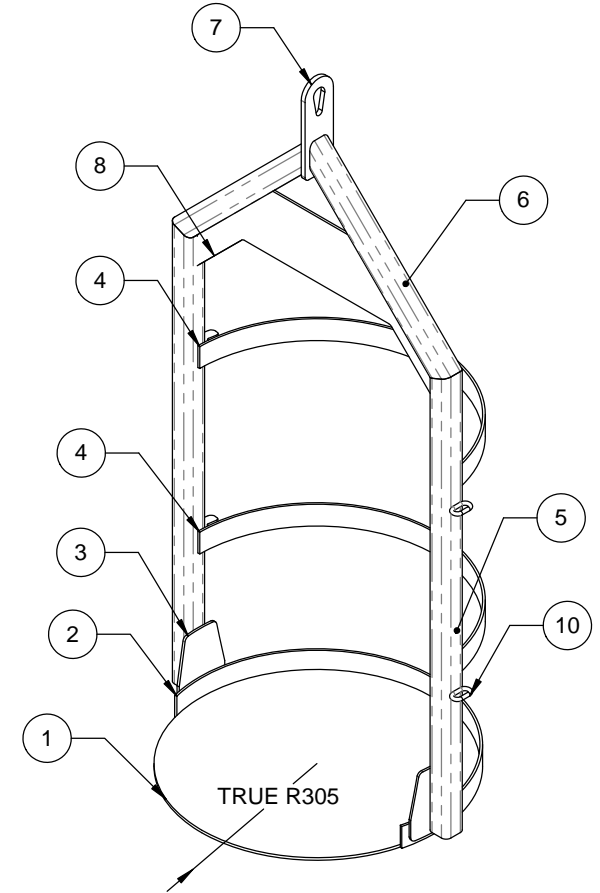
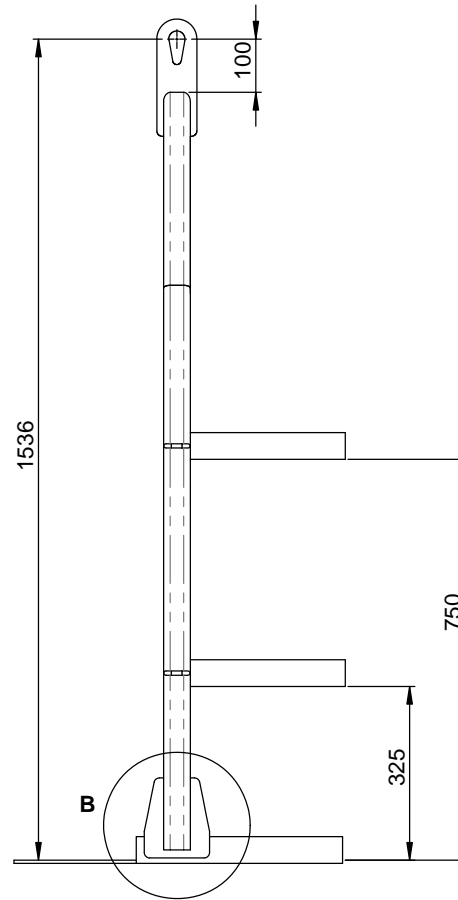
1. ALL WELDING TO COMPLY WITH AS1554.1 CAT SP
2. ALL WELDS 6mm FILLET WELDS
3. ALL HOLLOW SECTION TO COMPLY WITH AS1163 GRD350
4. ALL STEEL PLATE TO COMPLY WITH AS3678
5. TARE WEIGHT 45KG
6. FINISH POWDER COAT GOLDEN YELLOW
7. PROOF LOAD AND MARKINGS TO COMPLY WITH AS4991
8. DRUM SECURED WITH 6mm REGULAR LINK GALVANISED CHAIN



**DETAIL A
SCALE 1 : 5**



**DETAIL B
SCALE 1 : 5**



ITEM NO.	PART NUMBER	QTY.
1	10047-6mm FLOOR PLATE	1
2	10047-BOTTOM HOOP	1
3	10047-BOTTOM GUSSET	2
4	10047-UPPER HOOPS	2
5	10047-VERTICAL MEMBER	2
6	10047-TOP FRAME MEMBER	2
7	10047-LIFTING LUG	1
8	10047-TOP GUSSET	1
9	10047-CHAIN HOOK	2
10	8mm REGULAR CHAIN LINK	2

**D.O.T.
ENGINEERING**

1 / 57 PARAMOUNT DRV
WANGARA. 6065
WESTERN AUSTRALIA.

TEL: (08) 9302 4166

FAX: (08) 9302 4099

THIS DRAWING AND THE INFORMATION ON IT
REMAINS THE PROPERTY OF DOT ENGINEERING
WRITTEN PERMISSION MUST BE OBTAINED FROM
DOT ENGINEERING TO COPY OR REPRODUCE
THE WHOLE OR PART OF THIS DRAWING.

DRAWN

RM

TITLE 200 LITRE OPEN FRONT DRUM LIFTING FRAME

CHECKED

SIZE 700KG WLL

SCALE 1:10

DATE
30-Jul-11

APPROVED

PROJECT CAGES

DWG 10047 - 1

REV 1