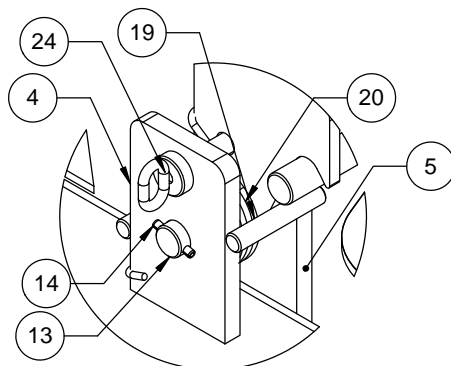
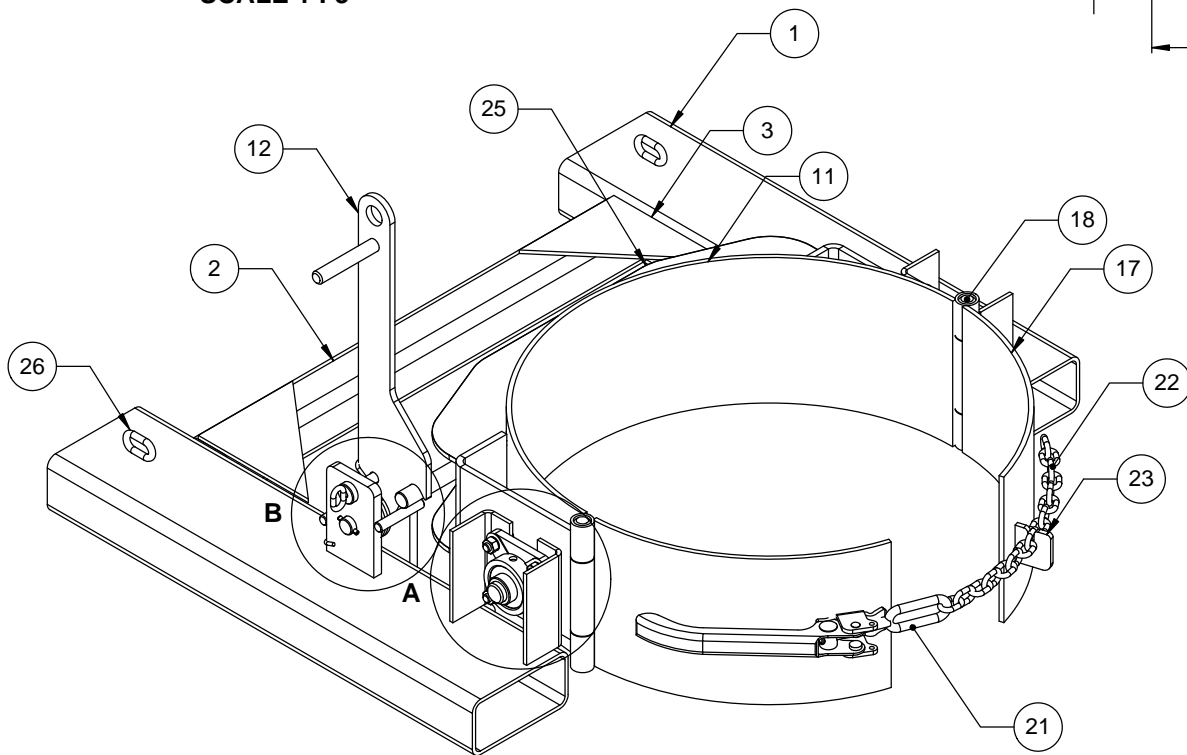
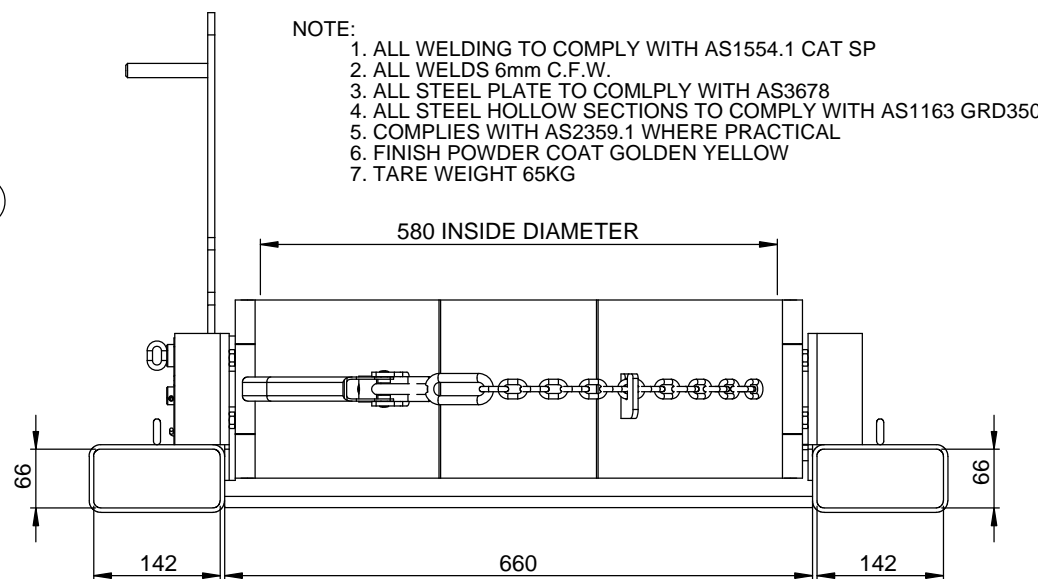


**DETAIL A  
SCALE 1 : 3**



**DETAIL B  
SCALE 1 : 3**



ITEM NO.	PART NUMBER	QTY.
1	TINE POCKET	2
2	REAR SUPPORT	1
3	10180-GUSSET	2
4	10180-OUTSIDE LATCH BRACKET	1
5	10180-INSIDE LATCH BRACKET	1
6	10180-BEARING BRACKET	2
7	10180-F205 HOUSING & UC205 BEARING	2
8	M10 x 30 GRD 8.8 BOLT	8
9	10mm FLAT & SPRING WASHER	8
10	M10 NUT	8
11	10180-CLAMP RING REAR ASSEMBLY	1
12	10180-LATCH ARM ASSEMBLY	1
13	10180-LATCH ARM PIVOT PIN	1
14	5mm x 30mm ROLL PIN	2
15	10180-STOP PIN	2
16	10180-TOP & BOTTOM HINGE TUBE	4
17	10180-CLAMP RING FRONT	2
18	10180-HINGE PIN	2
19	10180-12mm CS1030	2
20	TORSION SPRING	1
21	DRUM LATCH AL00799 AGRIPARTS	1
22	6mm HI-TEN TRANSPORT CHAIN	1
23	10180-CHAIN LOCK PLATE	1
24	10180-LATCH PIN	1
25	10180-CLAMP RING STIFFENER	2
26	8mm REGULAR CHAIN LINK	2

**D.O.T.  
ENGINEERING**

1 / 57 PARAMOUNT DRV  
WANGARA. 6065  
WESTERN AUSTRALIA.

**TEL: (08) 9302 4166**

**FAX: (08) 9302 4099**

THIS DRAWING AND THE INFORMATION ON IT  
REMAINS THE PROPERTY OF DOT ENGINEERING  
WRITTEN PERMISSION MUST BE OBTAINED FROM  
DOT ENGINEERING TO COPY OR REPRODUCE  
THE WHOLE OR PART OF THIS DRAWING.

DRAWN

RM

TITLE 200 LITRE FORKLIFT DRUM TIPPER

CHECKED

SIZE 500KG WLL

SCALE 1:6

DATE 01-Oct-11

APPROVED

PROJECT FORKLIFT ATTACH

DWG 10180 - 1

REV 2