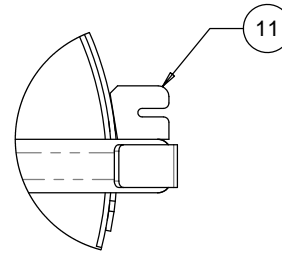
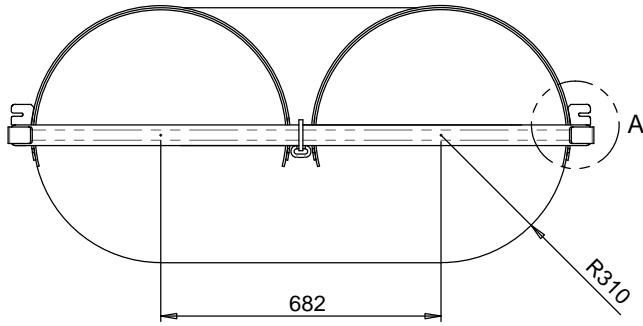


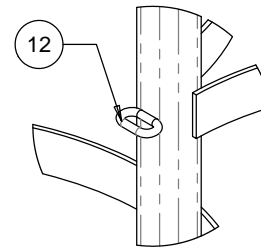
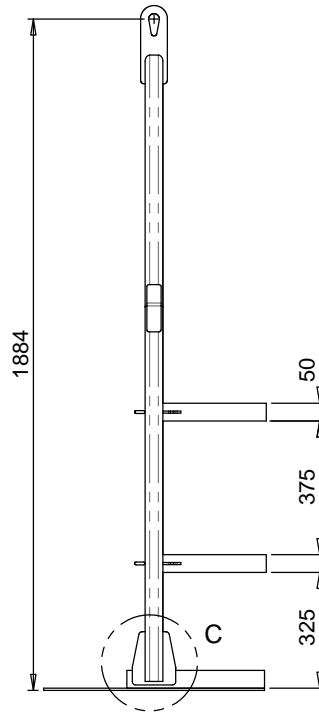
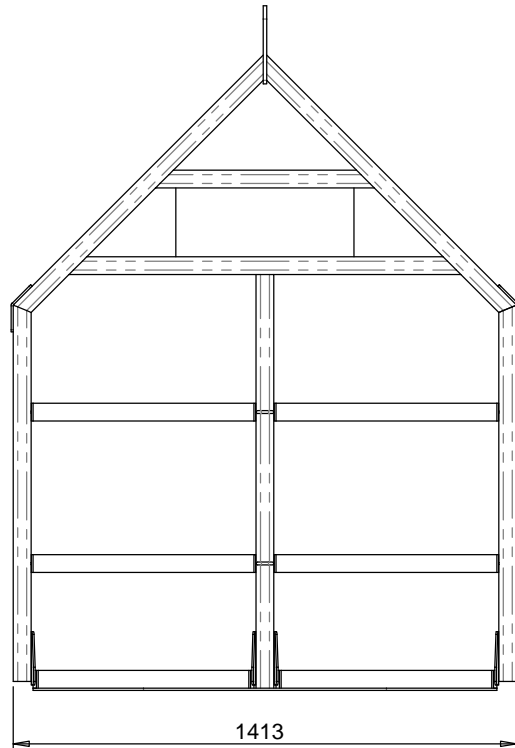
NOTE:

1. ALL WELDING TO COMPLY WITH AS1554.1 CAT SP
2. ALL WELDS 6mm FILLET WELDS
3. ALL HOLLOW SECTION TO COMPLY WITH AS1163 GRD350
4. ALL STEEL PLATE TO COMPLY WITH AS3678
5. TARE WEIGHT 95KG
6. FINISH POWDER COAT GOLDEN YELLOW
7. PROOF LOAD AND MARKINGS TO COMPLY WITH AS4991
8. DRUMS SECURED WITH 6mm REGULAR LINK GALVANISED CHAIN

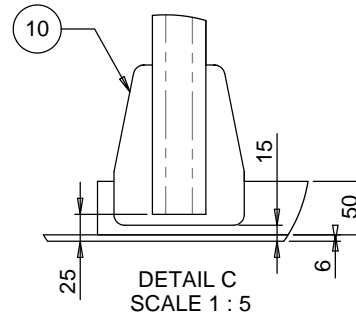
ITEM NO.	PART NUMBER	QTY.
1	50 x 50 x 5 SHS x 1057	2
2	50 x 50 x 5 SHS x 991	2
3	50 x 50 x 5 SHS x 614	1
4	50 x 50 x 5 SHS x 1100	1
5	LIFTING LUG	1
6	50 x 50 x 5 SHS x 1161	1
7	6mm FLOOR PLATE	1
8	BOTTOM BAND	2
9	UPPER BAND	4
10	GUSSET	4
11	CHAIN RESTRAINT	4
12	8mm REGULAR CHAIN LINK	2
13	SIGN PLATE	1
14	REINFORCING STRAP	2



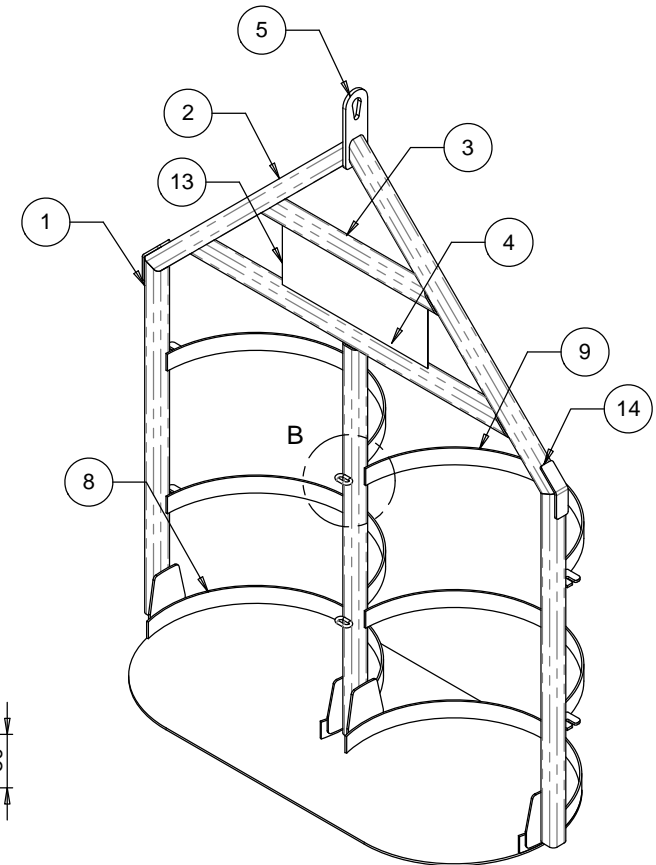
DETAIL A  
SCALE 1 : 5



DETAIL B  
SCALE 1 : 5



DETAIL C  
SCALE 1 : 5



**D.O.T.**  
**ENGINEERING**

1 / 57 PARAMOUNT DRV  
WANGARA. 6065  
WESTERN AUSTRALIA.

TEL: (08) 9302 4166

FAX: (08) 9302 4099

THIS DRAWING AND THE INFORMATION ON IT  
REMAINS THE PROPERTY OF DOT ENGINEERING  
WRITTEN PERMISSION MUST BE OBTAINED FROM  
DOT ENGINEERING TO COPY OR REPRODUCE  
THE WHOLE OR PART OF THIS DRAWING.

DRAWN	RM	TITLE	DOUBLE 200 LITRE DRUM LIFTING FRAME		
CHECKED		SIZE	1000KG	SCALE	1:15
APPROVED		PROJECT	DRUM LIFT	DATE	17-Nov-12
		DWG	10335 - 1	REV	0