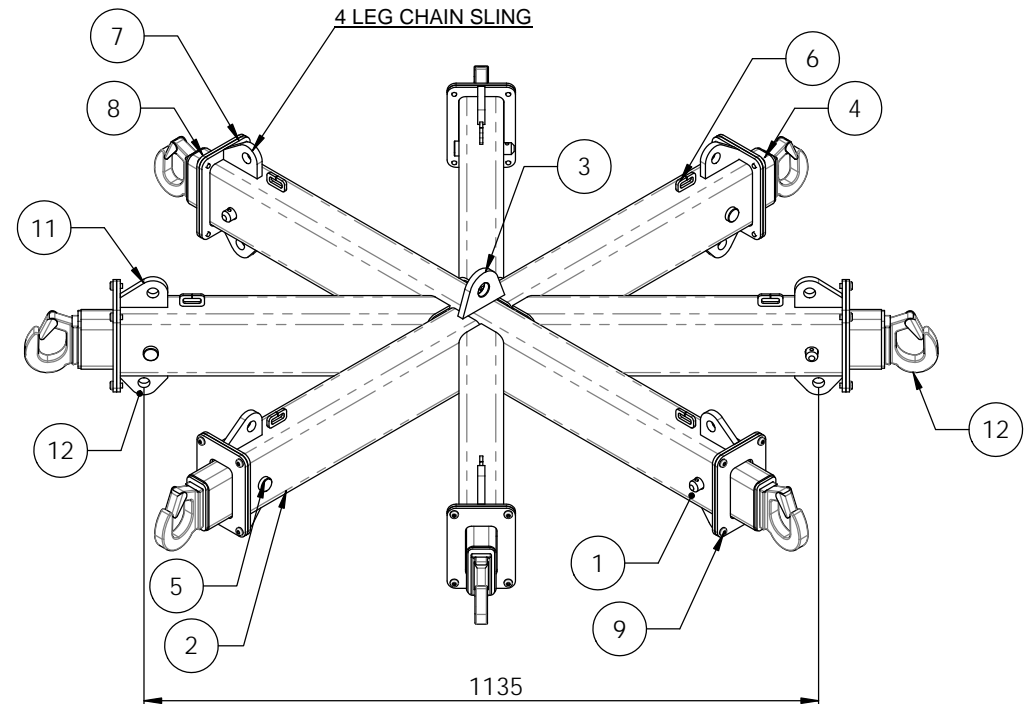
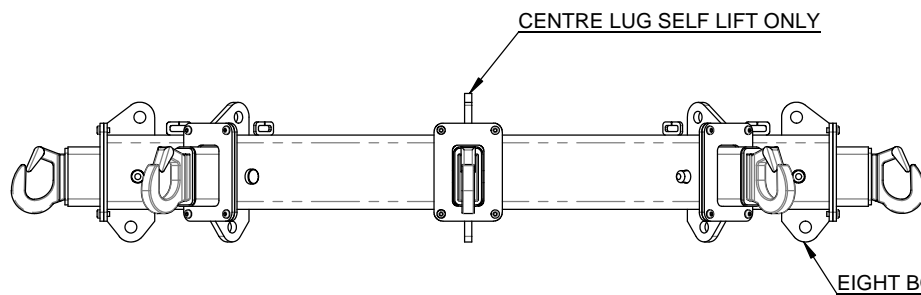


NOTES:

1. ALL WELDING TO AS 1554.1 CAT SP
2. ALL WELDS 5mm CFW
3. ALL STEEL PLATE TO AS3678
4. ALL HOLLOW SECTIONS TO AS1163 GRD350
5. PROOF LOAD & MARKINGS TO AS 4991
6. TARE WEIGHT 135 KGS
7. SLING APEX ANGLE 60 DEGREES

ITEM NO.	PART NUMBER	QTY.
1	LONG ARM	1
2	SHORT ARM	2
3	LIFTING LUG	1
4	INNER ARM ASSEMBLY	8
5	LOCATION PIN	8
6	SPLIT LINK	8
7	BACK GUIDE PLATE	8
8	FRONT GUIDE PLATE	8
9	M8 x 25 BUTTON HEAD SCREW	32
12	SHORT ARM ASSEMBLY (1)	8
11	LIFTING LUG (2)	8
12	LIFTING LUG (3)	8



D.O.T.
ENGINEERING

1 / 57 PARAMOUNT DRV
WANGARA. 6065
WESTERN AUSTRALIA.

TEL: (08) 9302 4166

FAX: (08) 9302 4099

THIS DRAWING AND THE INFORMATION ON IT
REMAINS THE PROPERTY OF DOT ENGINEERING
WRITTEN PERMISSION MUST BE OBTAINED FROM
DOT ENGINEERING TO COPY OR REPRODUCE
THE WHOLE OR PART OF THIS DRAWING.

DRAWN	RM	TITLE EIGHT LEG WHEEL CHAIN MAIL LIFTING FRAME		
CHECKED		SIZE 2T WLL	SCALE 1:9	DATE 11-Feb-11
APPROVED		PROJECT LIFTING FRAMES	DWG 10592 - 1	REV 0