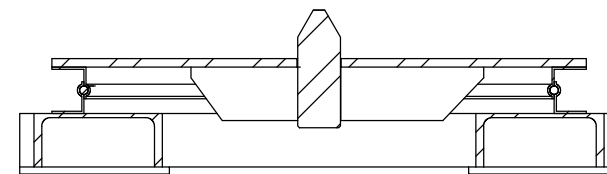
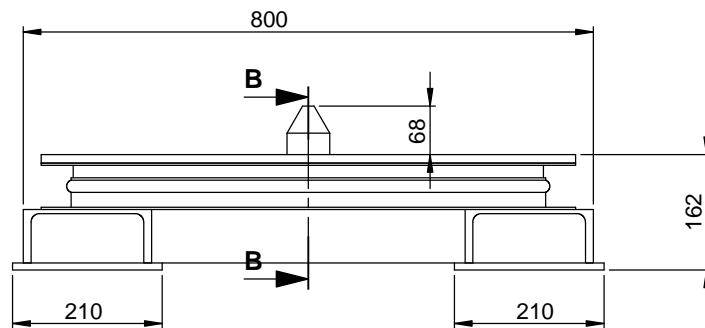
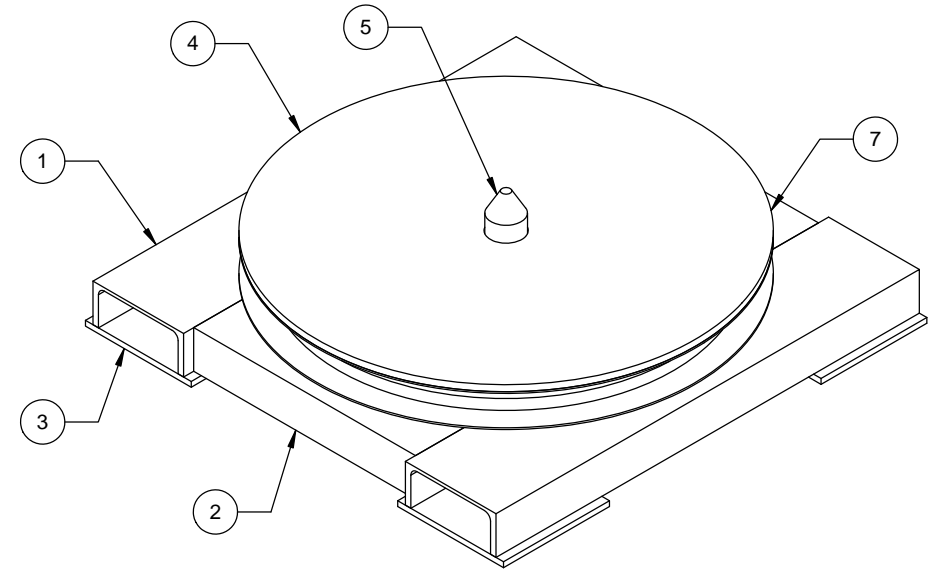


| ITEM NO. | PART NUMBER | DESCRIPTION | QTY. |
|----------|-----------------------|---------------------|------|
| 1 | 180 PFC x 840 | | 2 |
| 2 | 180 PFC x 440 | | 2 |
| 3 | 10mm GRD250 210 x 210 | | 4 |
| 4 | TURNTABLE PLATE | | 1 |
| 5 | PIN | | 1 |
| 6 | GUSSET | | 6 |
| 7 | SLEWING RING | LA LEONESSA U01N075 | 1 |



SECTION B-B

D.O.T.
ENGINEERING

1 / 57 PARAMOUNT DRV
WANGARA. 6065
WESTERN AUSTRALIA.

TEL: (08) 9302 4166

FAX: (08) 9302 4099

THIS DRAWING AND THE INFORMATION ON IT
REMAINS THE PROPERTY OF DOT ENGINEERING
WRITTEN PERMISSION MUST BE OBTAINED FROM
DOT ENGINEERING TO COPY OR REPRODUCE
THE WHOLE OR PART OF THIS DRAWING.

| | | | |
|----------|----|----------------------------|----------------|
| DRAWN | RM | TITLE WIRE ROPE TURN TABLE | |
| CHECKED | | SIZE 2.5T | SCALE 1:7.5 |
| APPROVED | | PROJECT REELS | DATE 01-Feb-13 |
| | | DWG 10673 - 1 | REV 0 |