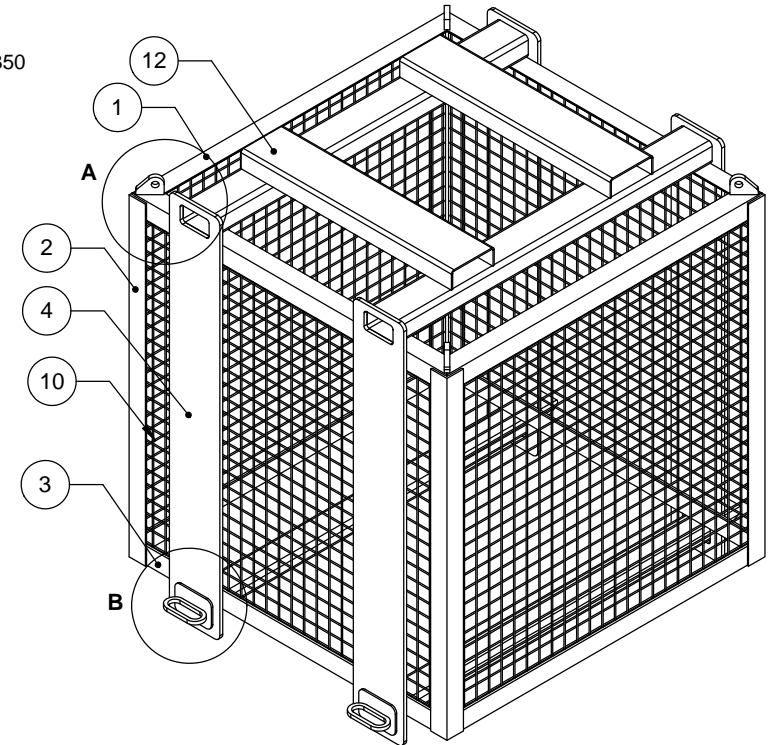
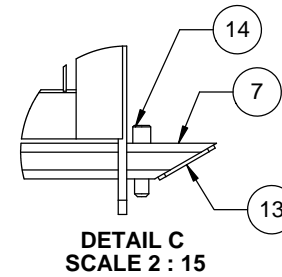
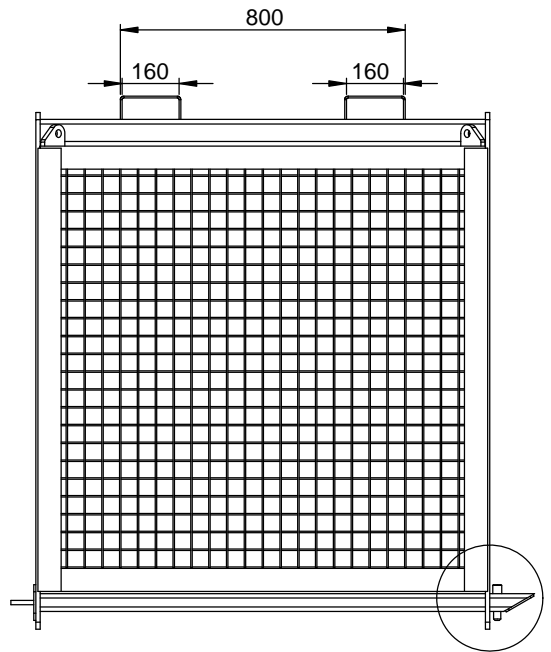
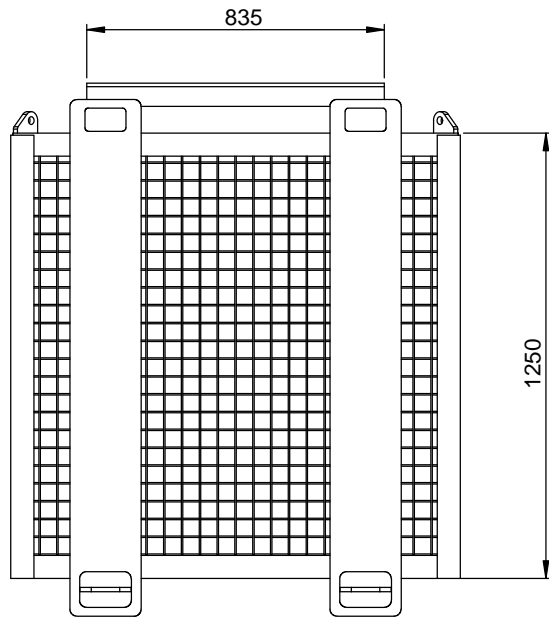
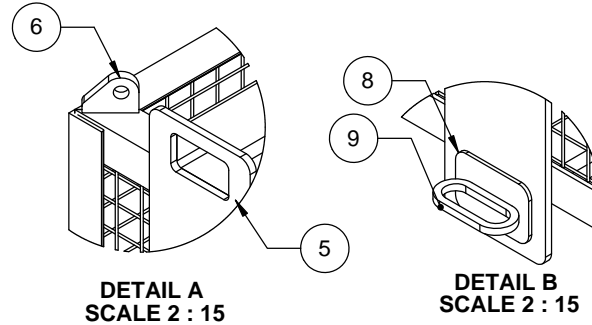


NOTE:

1. ALL WELDING AS 1554.1 CAT SP
2. ALL WELDS 6mm FILLET WELDS
3. ALL HOLLOW SECTION TO COMPLY WITH AS 1163 GRD350
4. ALL STEEL PLATE TO COMPLY WITH AS3678
5. ALL STEEL SECTION TO COMPLY WITH AS3679
6. FINISH POWDER COATED GOLDEN YELLOW
7. TARE WEIGHT 290 KG
8. LIFTING SLING APEX ANGLE 60 DEGREES
9. PROOF LOAD & MARKINGS AS4991-2004



ITEM NO.	PART NUMBER	QTY.
1	TOP FRAME	1
2	65 x 65 x 6 ANGLE	4
3	65 x 8 FLAT BAR	4
4	SIDE PLATE	4
5	LIFTING TINE STORAGE POCKET	2
6	LIFTING LUG	4
7	LIFTING TINE	2
8	TINE END PLATE	2
9	TINE HANDLE	2
10	50 x 50 x 4 GALVANISED MESH	4
12	FORKLIFT TINE POCKET	2
13	END CAP	2
14	PIN	2