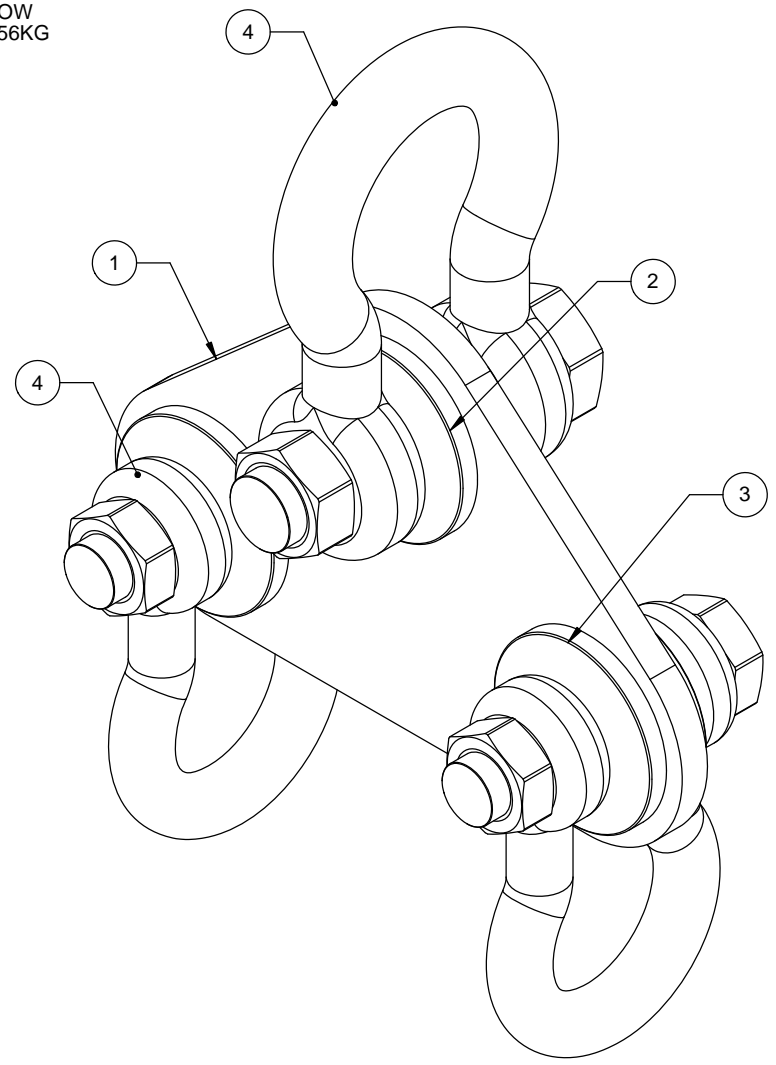
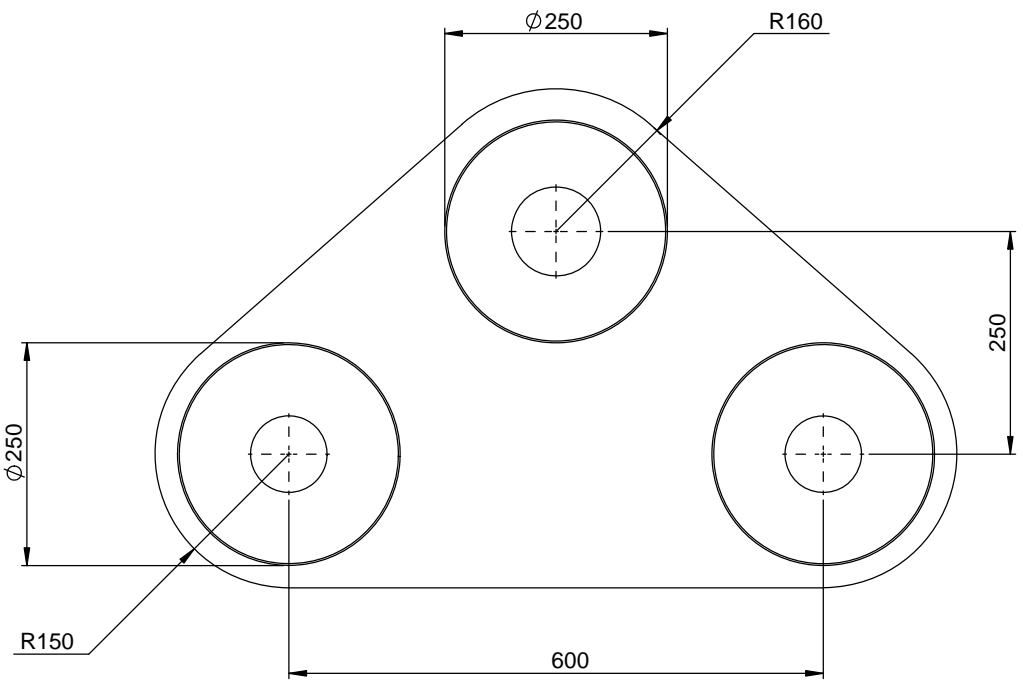
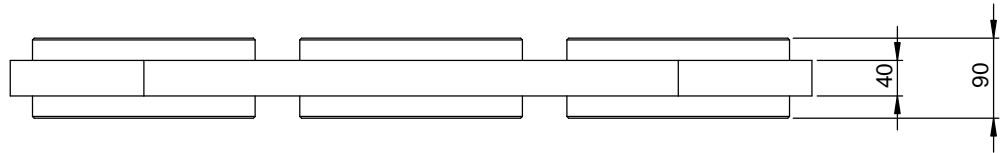


ITEM NO.	PART NUMBER	QTY.
1	11217-TRI PLATE	1
2	11217-TOP CHEEK PLATE	2
3	11217-BOTTOM CHEEK PLATE CHEEK PLATE	4
4	85T GRD "S" SAFETY BOW SHACKLE	2
5	120T GRD "S" SAFETY BOW SHACKLE	1

NOTE:

1. ALL WELDING TO COMPLY WITH AS1554.1 CAT SP
2. ALL WELDS 10mm FILLET WELDS
3. TOP SHACKLE 120T GRD "S" SAFETY BOW SHACKLE
4. BOTTOM SHACKLES 85T GRD "S" SAFETY BOW SHACKLES
5. ALL STEEL PLATE TO COMPLY WITH AS3678
6. PROOF LOAD & MARKINGS TO AS4991-2004
7. FINISH POWDER COAT GOLDEN YELLOW
8. TARE WEIGHT WITHOUT SHACKLES 156KG



**D.O.T.**  
**ENGINEERING**

1 / 57 PARAMOUNT DRV  
WANGARA. 6065  
WESTERN AUSTRALIA.

**TEL: (08) 9302 4166**  
**FAX: (08) 9302 4099**

THIS DRAWING AND THE INFORMATION ON IT  
REMAINS THE PROPERTY OF DOT ENGINEERING  
WRITTEN PERMISSION MUST BE OBTAINED FROM  
DOT ENGINEERING TO COPY OR REPRODUCE  
THE WHOLE OR PART OF THIS DRAWING.

DRAWN	RM	TITLE	EQUALISING PLATE		
CHECKED		SIZE	100T WLL	SCALE	1:6
APPROVED		PROJECT	TRI-PLATES	DWG	11217 - 1
				DATE	03-Apr-13
				REV	0