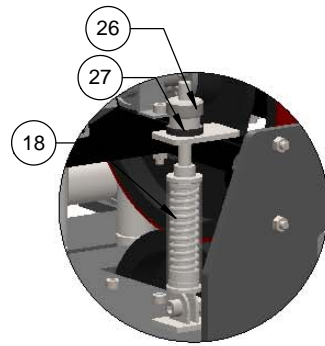
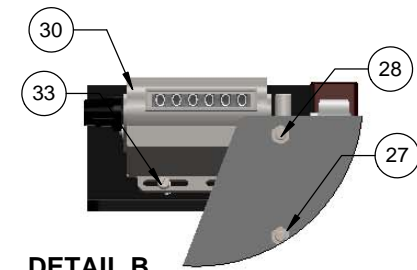


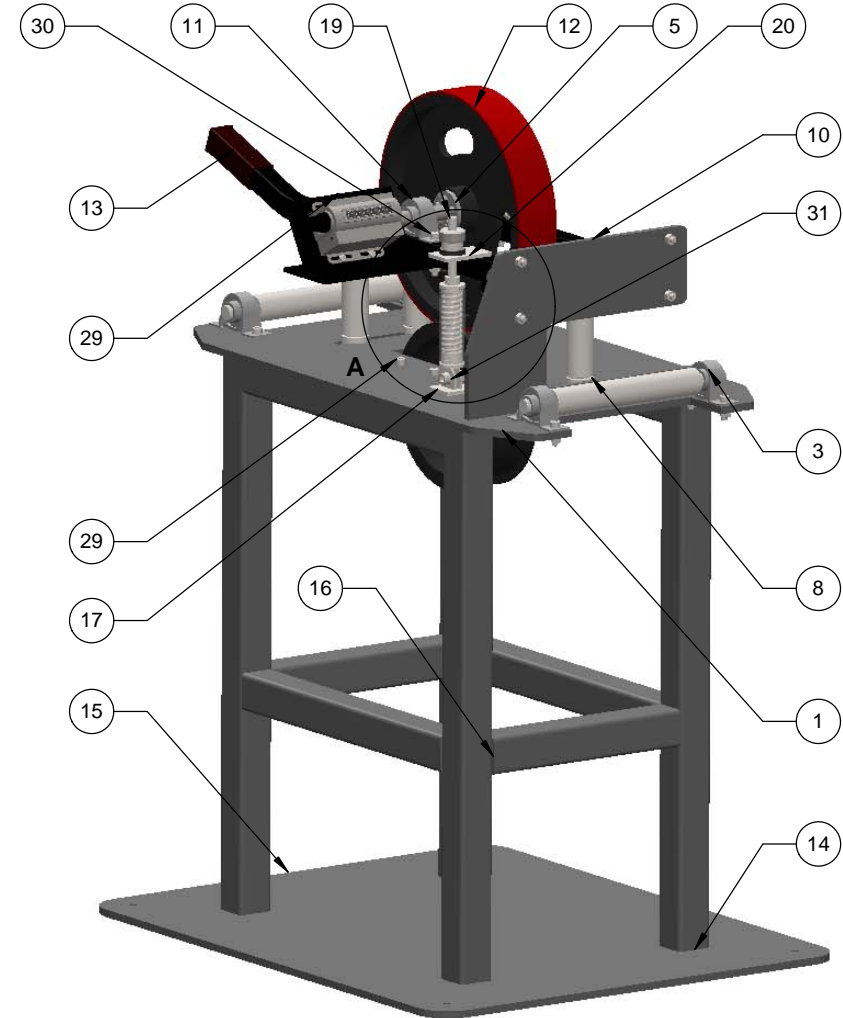
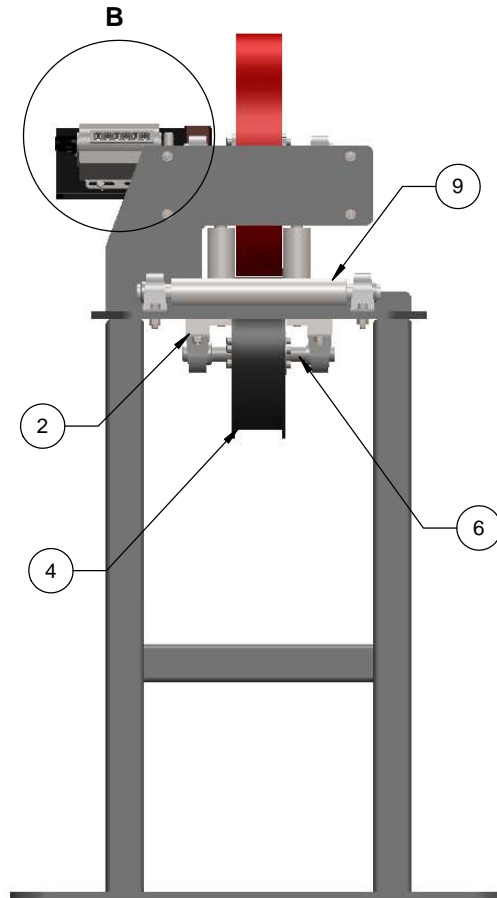
ITEM NO.	PART NUMBER	QTY.
1	11235-TOP PLATE	1
2	11235-BEARING BLOCK	2
3	11235-NSK 47PB AEL204	8
4	11235-BOTTOM WHEEL ASSEMBLY	1
5	SIT-LOCK 7 20 x 47	4
6	11235-SHAFT	1
7	11235-TEE NUT	4
8	M8 NYLOC NUTS	4
9	11235-HORIZONTAL ROLLER	2
10	11235-REAR PLATE	1
11	11235-TOP WHEEL FRAME ASSEMBLY	1
12	11235-TOP WHEEL ASSEMBLY	1
13	11235-PLASTIC GRIP	1
14	11235-SIDE FRAME	2
15	11235-BASE PLATE	1
16	11235-50 x 50 x 3 SHS	2
17	TENSIONING DEVICE DWG.11235-1	1
26	KNURLED THREADED KNOB	1
27	RADIUS WASHER	1
28	11235-SPRING	1
29	11235-ASSEMBLY COUNTER BRACKET	1
30	11235-TOP SHAFT	1
30	VEEDERROOT COUNTER 0166946-005 1:1 RATIO	1
27	B18.2.4.2M - Hex nut, Style 2, M8 x 1.25 --D-N	20
28	B18.3.1M - 8 x 1.25 x 25 Hex SHCS -- 25NHX	12
29	B18.3.1M - 8 x 1.25 x 45 Hex SHCS -- 28NHX	6
30	B18.3.1M - 8 x 1.25 x 50 Hex SHCS -- 28NHX	2
31	AS 1420 - M10 x 25-N	1
32	AM-M10-N	1
33	ISO 1580 - M5 x 12 --- 12N	4
34	AM-M5-N	4



**DETAIL A
SCALE 1 : 5**



**DETAIL B
SCALE 1 : 4**



**D.O.T.
ENGINEERING**

1 / 57 PARAMOUNT DRV
WANGARA. 6065
WESTERN AUSTRALIA.

TEL: (08) 9302 4166

FAX: (08) 9302 4099

THIS DRAWING AND THE INFORMATION ON IT
REMAINS THE PROPERTY OF DOT ENGINEERING
WRITTEN PERMISSION MUST BE OBTAINED FROM
DOT ENGINEERING TO COPY OR REPRODUCE
THE WHOLE OR PART OF THIS DRAWING.

DRAWN	RM	TITLE WIRE ROPE COUNTER		
CHECKED		SIZE N/A	SCALE 1:7	DATE 26-May-13
APPROVED		PROJECT EQUIPMENT	DWG 11235 - 1	REV 2