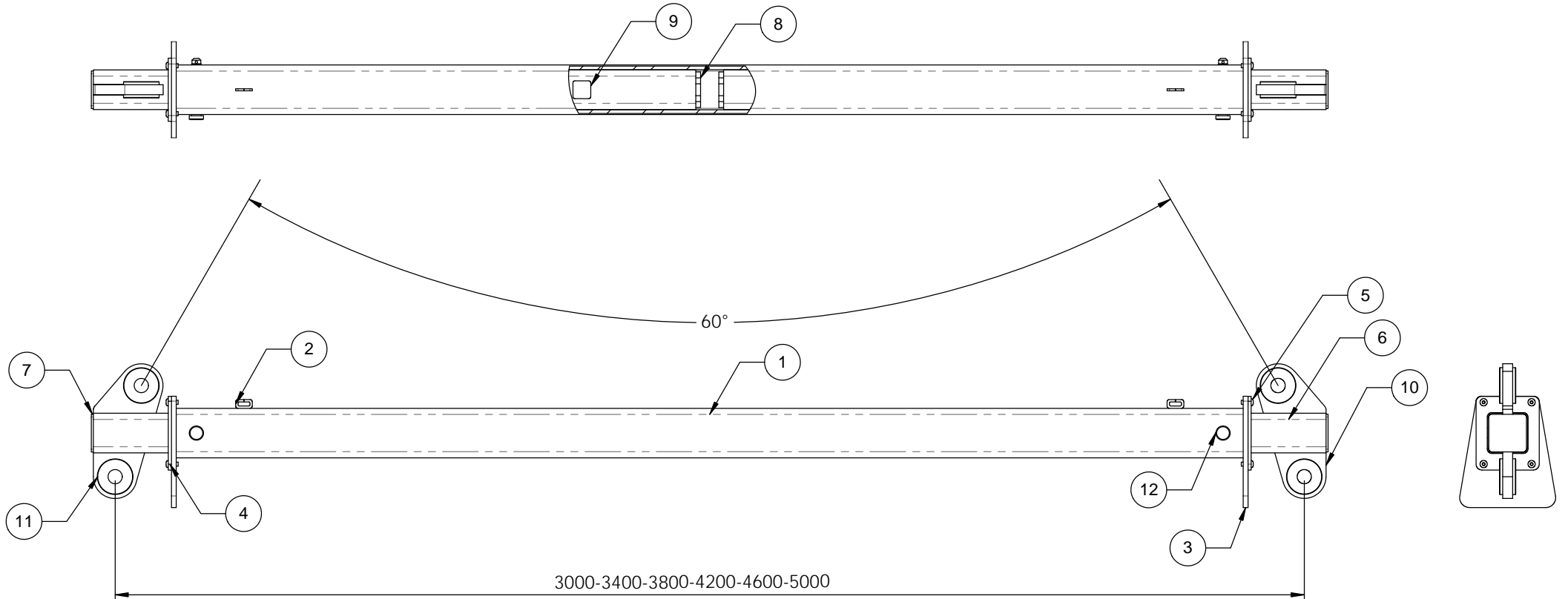


NOTE:

1. ALL WELDING TO AS 1554.1 CAT SP
2. ALL WELDS 6mm CFW
3. ALL STEEL PLATE TO AS 3678
4. ALL HOLLOW SECTIONS TO AS 1163 GRD350
5. 9.5T GRD "S" SAFETY BOW SHACKLE TOP & BOTTOM
6. SLING APEX ANGLE 60 DEGREES ALL POSITIONS
7. PROOF LOAD & MARKINGS TO AS 4991
8. TARE WEIGHT 140KGS

ITEM NO.	PART NUMBER	QTY.
1	BODY	1
2	SPLIT LINK	2
3	GUIDE PLATE	2
4	FRONT GUIDE PLATE	2
5	M10 x 25 BUTTON HEAD CAP SCREW	8
6	EXTENSION ARM	2
7	END CAP	2
8	END PLATE	2
9	STOP PLATE	2
10	END LUG	2
11	CHEEK PLATE	8
12	STANDARD LOCATION PIN FOR 125 SHS	2



**APPROVE FOR MANUFACTURE**

PRINT NAME:

SIGNATURE:

DATE:

**D.O.T.**  
**ENGINEERING**

1 / 57 PARAMOUNT DRV  
WANGARA. 6065  
WESTERN AUSTRALIA.

TEL: (08) 9302 4166

FAX: (08) 9302 4099

THIS DRAWING AND THE INFORMATION ON IT  
REMAINS THE PROPERTY OF DOT ENGINEERING  
WRITTEN PERMISSION MUST BE OBTAINED FROM  
DOT ENGINEERING TO COPY OR REPRODUCE  
THE WHOLE OR PART OF THIS DRAWING.

DRAWN

RM

TITLE 3-5m EXTENDABLE SPREADER BEAM

CHECKED

SIZE 15T WLL ALL POS.

SCALE 1:10

DATE 16-Oct-11

APPROVED

PROJECT BEAMS

DWG 11053 - 1

REV 0