

APPROVE FOR MANUFACTURE

PRINT NAME:

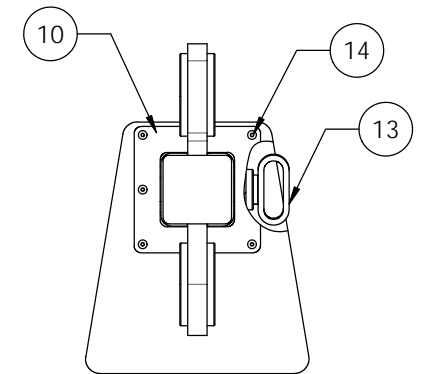
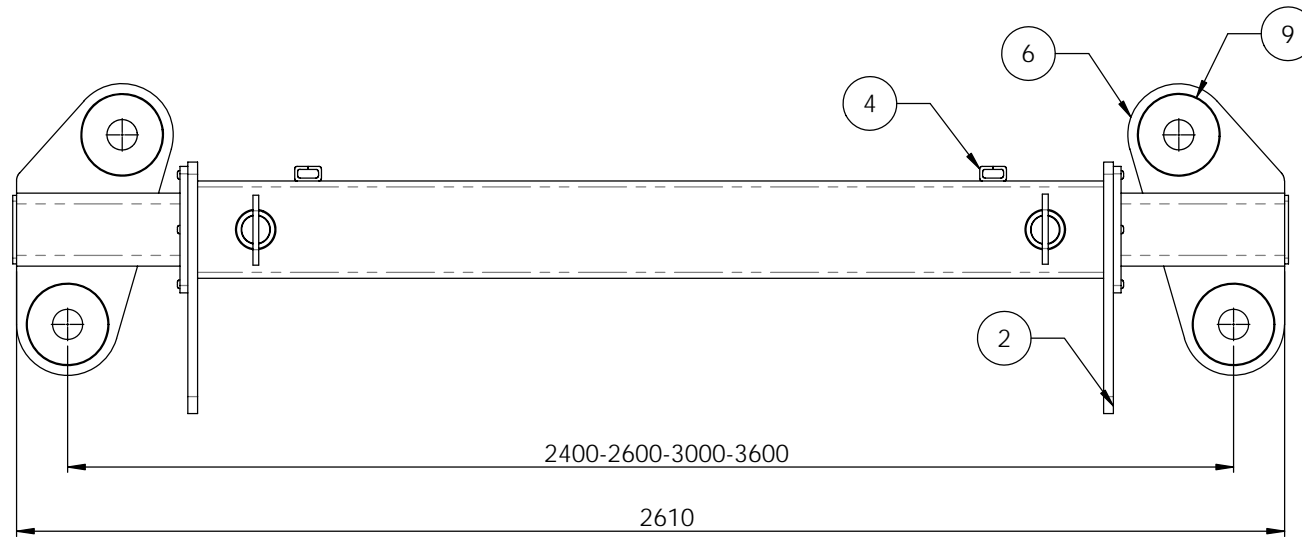
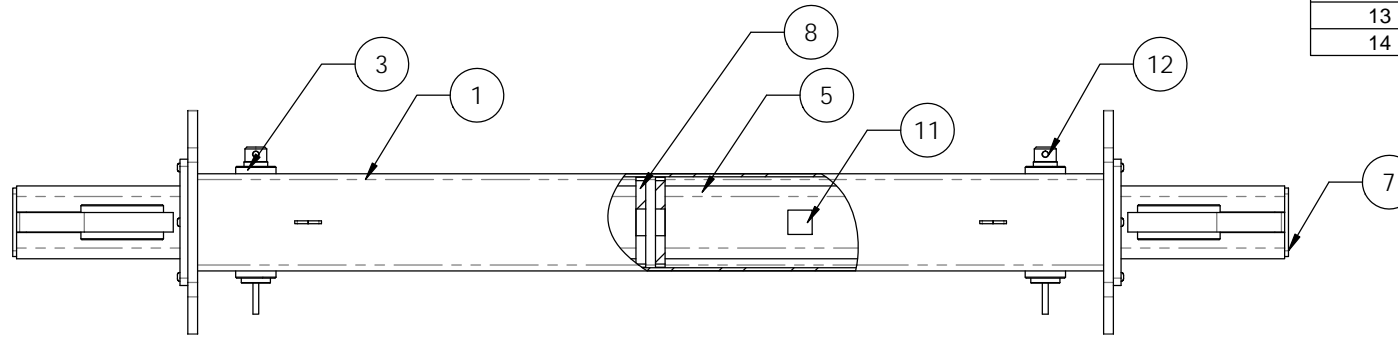
SIGNATURE:

DATE:

NOTE:

1. ALL WELDING TO COMPLY WITH AS1554.1 CAT SP
2. ALL WELDS 8mm CFW
3. ALL HOLLOW SECTION TO COMPLY WITH AS1163 GDR350
4. ALL STEEL PLATE TO COMPLY WITH AS3678
5. TARE WEIGHT 345KG
6. PROOF LOAD & MARKINGS TO COMPLY WITH AS4991-2004
7. SLING APEX ANGLE 60 DEGREES ALL POSITIONS
8. FINISH POWDER COAT Y-14 GOLDEN YELLOW
9. 35T GRD "S" SAFETY BOW SHACKLES TOP & BOTTOM

| ITEM NO. | PART NUMBER | QTY. |
|----------|--------------------------------|------|
| 1 | OUTER BEAM | 1 |
| 2 | GROUND STAND | 2 |
| 3 | LOCK PIN BUSH | 4 |
| 4 | 6mm SPLIT LINK | 2 |
| 5 | INNER BEAM | 2 |
| 6 | LUG | 2 |
| 7 | END CAP | 2 |
| 8 | END PLATE | 2 |
| 9 | CHEEK PLATE | 8 |
| 10 | GUIDE PLATE | 2 |
| 11 | 50 x 10 FLAT BAR | 2 |
| 12 | LOCATION PIN | 2 |
| 13 | HANDLE FOR 50mm PINS | 2 |
| 14 | M10 x 35 BUTTON HEAD CAP SCREW | 18 |



D.O.T.
ENGINEERING

1 / 57 PARAMOUNT DRV
WANGARA. 6065
WESTERN AUSTRALIA.

TEL: (08) 9302 4166

FAX: (08) 9302 4099

THIS DRAWING AND THE INFORMATION ON IT
REMAINS THE PROPERTY OF DOT ENGINEERING
WRITTEN PERMISSION MUST BE OBTAINED FROM
DOT ENGINEERING TO COPY OR REPRODUCE
THE WHOLE OR PART OF THIS DRAWING.

DRAWN

RM

TITLE 2400-3600 EXTENDABLE SPREADER BEAM

CHECKED

SIZE 50T WLL ALL POS.

SCALE 1:11

DATE 23-Jul-12

APPROVED

PROJECT BEAMS

DWG 11144 - 1

REV 0