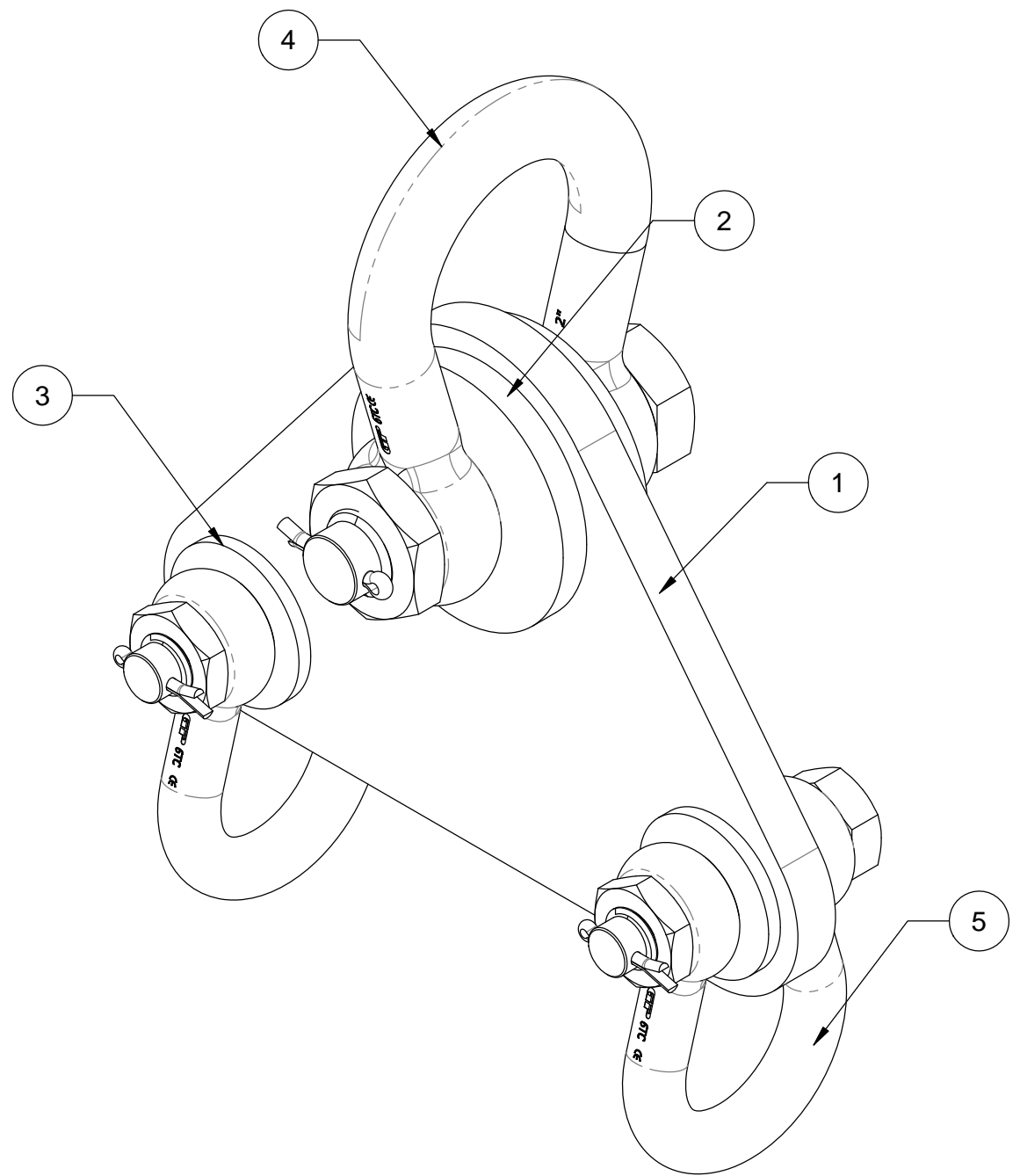
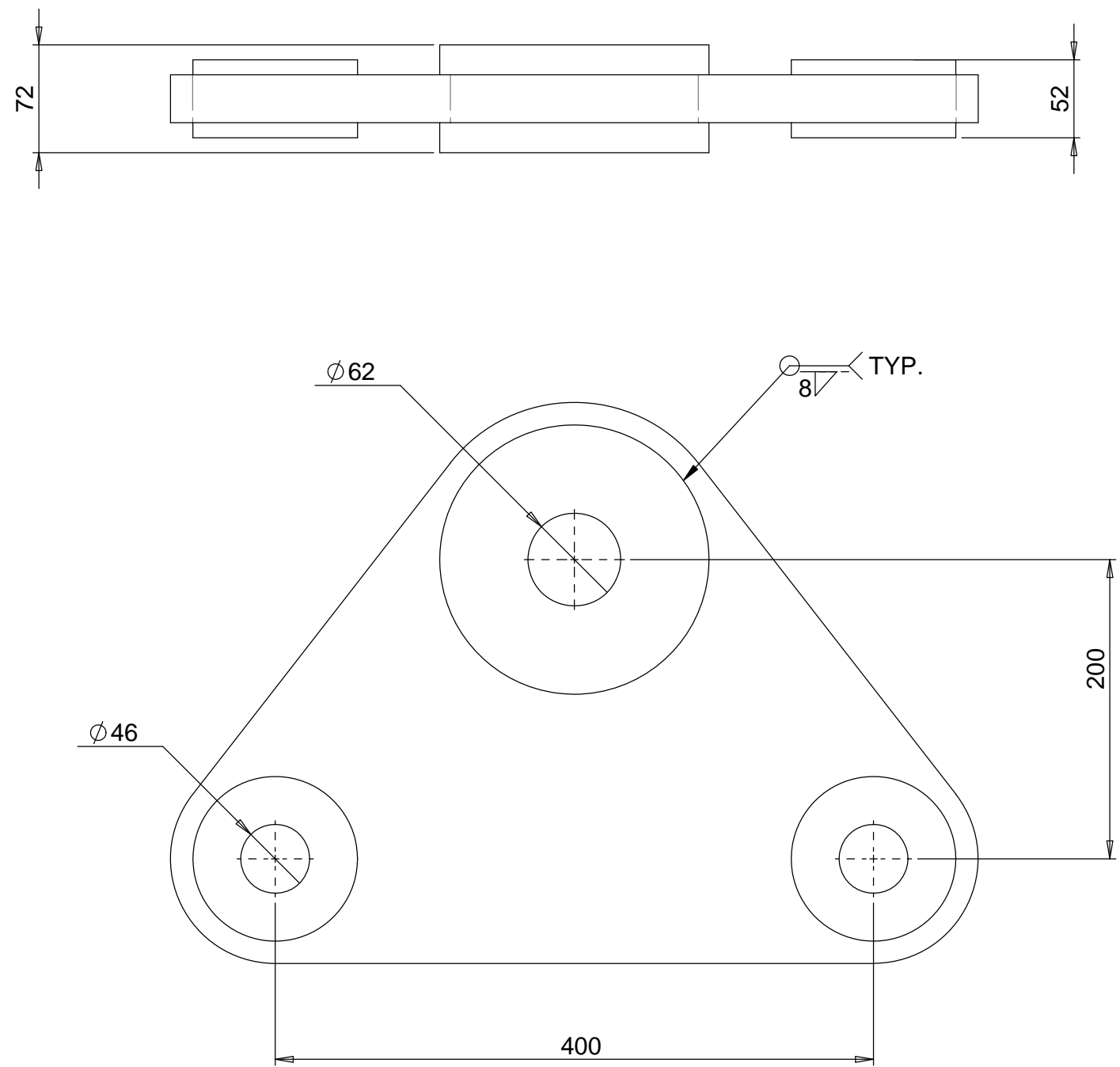


- NOTE:
1. ALL WELDING TO AS 1554.1 CAT SP
  2. ALL STEEL PLATE TO AS 3678
  3. MAX.SLING APEX ANGLE 60 DEGREES
  4. PROOF LOAD & MARKINGS TO AS 4991
  5. TARE WEIGHT WITH OUT SHACKLES 43KG
  6. POWDER COAT Y-15 SAFETY YELLOW



ITEM NO.	PART NUMBER	QTY.
1	11358-TRI-PLATE	1
2	11358-CHEEK PLATE TOP	2
3	11358-CHEEK PLATE BOTTOM	4
4	11358-35T SAFETY BOW SHACKLE	1
5	11358-17T SAFETY BOW SHACKLE	2

**D.O.T.**  
**ENGINEERING**

1 / 57 PARAMOUNT DRV  
WANGARA. 6065  
WESTERN AUSTRALIA.

**TEL: (08) 9302 4166**  
**FAX: (08) 9302 4099**

THIS DRAWING AND THE INFORMATION ON IT  
REMAINS THE PROPERTY OF DOT ENGINEERING  
WRITTEN PERMISSION MUST BE OBTAINED FROM  
DOT ENGINEERING TO COPY OR REPRODUCE  
THE WHOLE OR PART OF THIS DRAWING.

DRAWN	RM	TITLE 25 TONNE EQUALISING PLATE		
CHECKED		SIZE 25T WLL	SCALE 1:4	DATE 19-Feb-14
APPROVED		PROJECT TRI-PLATES	DWG 11358 - 1	REV 0