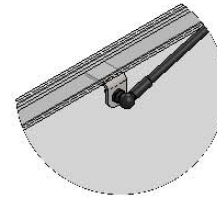
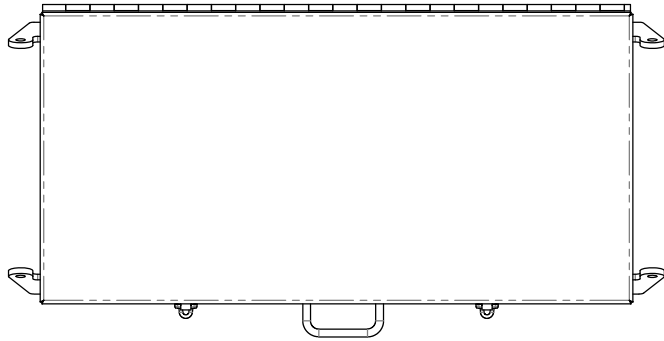


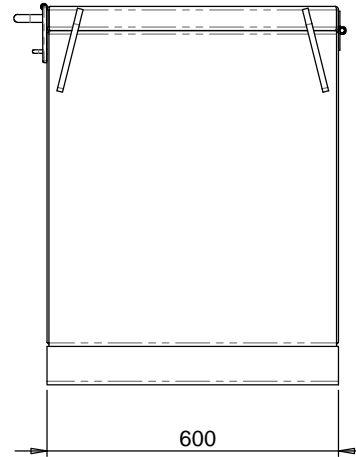
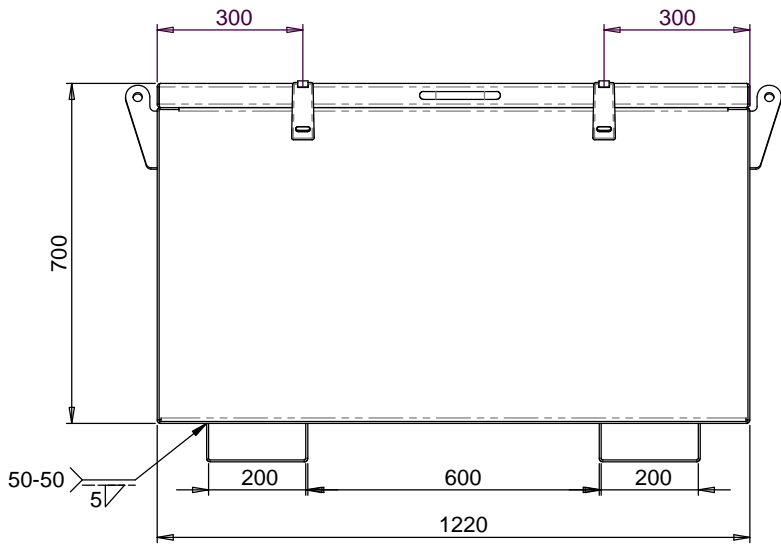
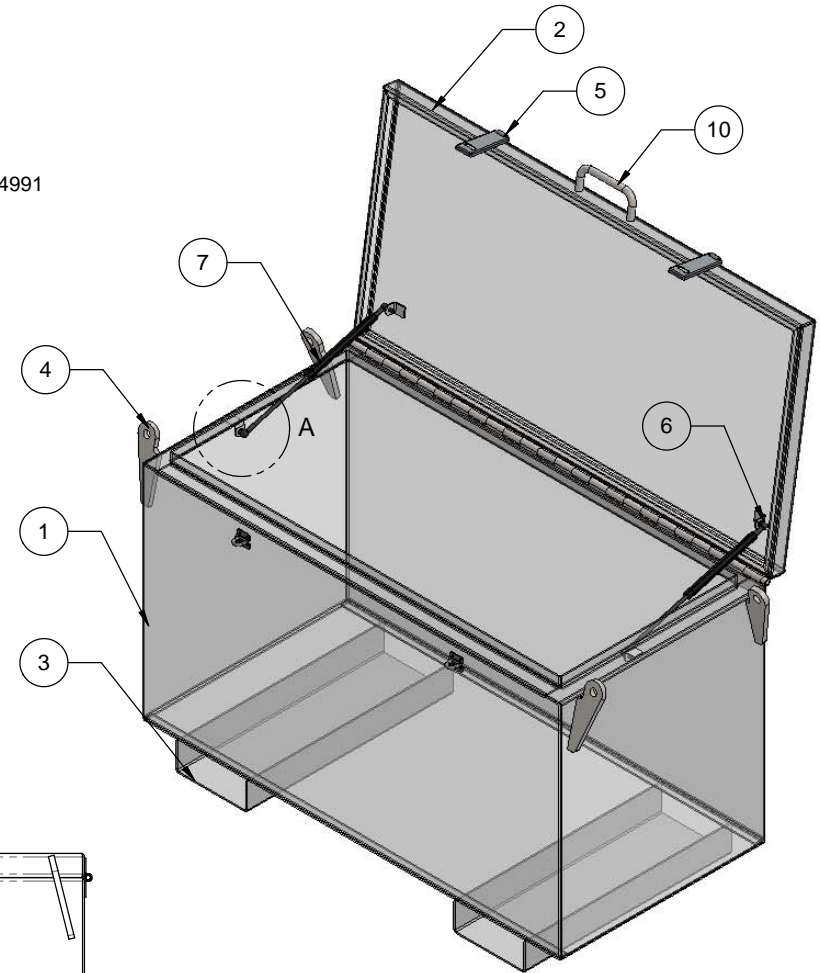
APPROVE FOR MANUFACTURE
PRINT NAME:
SIGNATURE:
DATE:

NOTE:

1. ALL WELDING AS 1554.1 CAT SP
2. ALL WELDS 5mm FILLET WELDS U.O.N.
4. ALL STEEL PLATE TO COMPLY WITH AS3678
5. FINISH POWDER COATED SAFETY YELLOW
6. TARE WEIGHT 150 KG
7. PROOF LOAD & MARKINGS TO COMPLY WITH AS 4991



DETAIL A
SCALE 1 : 5



ITEM NO.	PART NUMBER	QTY.
1	11382-BODY	1
2	11382-LID	1
3	11382-TINE POCKET	2
4	11382-LIFTING LUG	4
5	MASTER LOCK 704D HASP & STAPLE	2
6	11382-GAS STRUT BRACKET	4
7	UES GAS STRUT ST375N-431	2
9	11382-UES CONTINUOUS STRIP HINGE 4024527	1
10	11382-HANDLE	1

D.O.T.
ENGINEERING

1 / 57 PARAMOUNT DRV
WANGARA. 6065
WESTERN AUSTRALIA.

TEL: (08) 9302 4166

FAX: (08) 9302 4099

THIS DRAWING AND THE INFORMATION ON IT
REMAINS THE PROPERTY OF DOT ENGINEERING
WRITTEN PERMISSION MUST BE OBTAINED FROM
DOT ENGINEERING TO COPY OR REPRODUCE
THE WHOLE OR PART OF THIS DRAWING.

DRAWN RM

CHECKED

APPROVED

TITLE 1T 1220 x 600 x 700 SITE BOX

SIZE 1T WLL

SCALE 1:11

DATE 02-May-14

PROJECT SITE BOXES

DWG 11382 - 1

REV 0